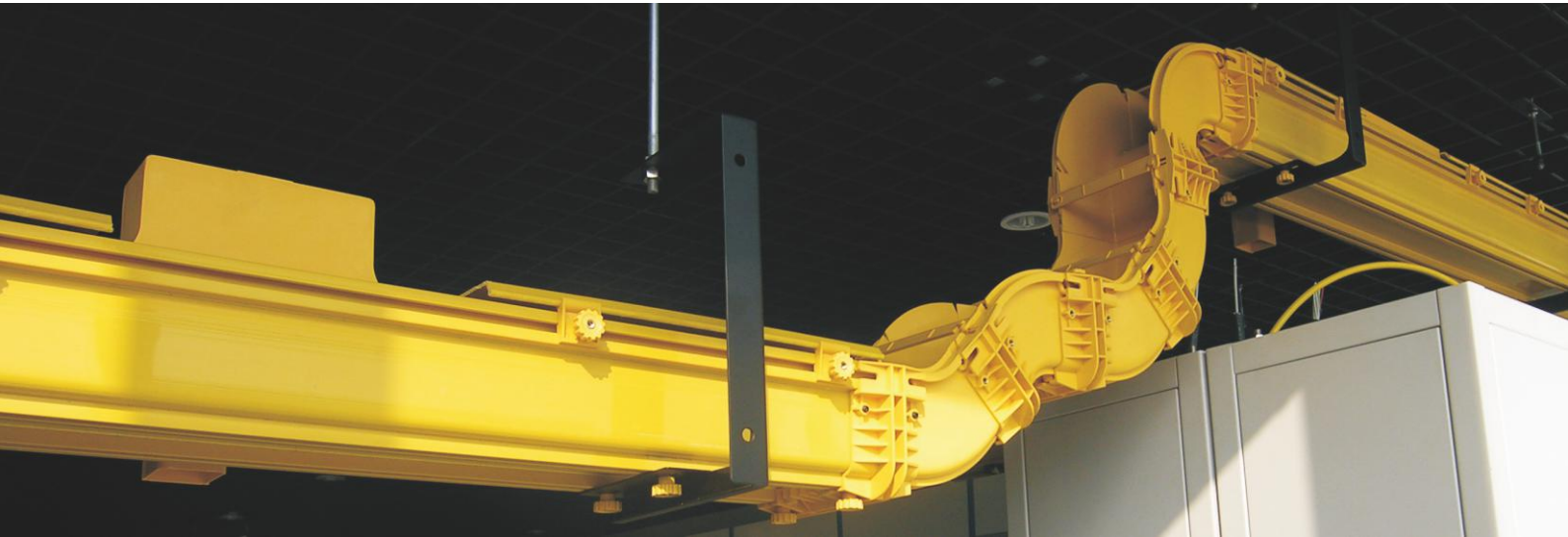




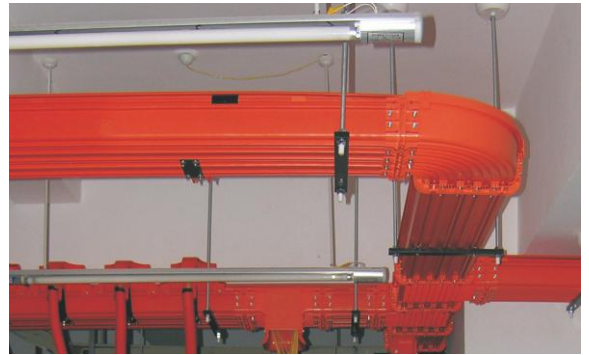
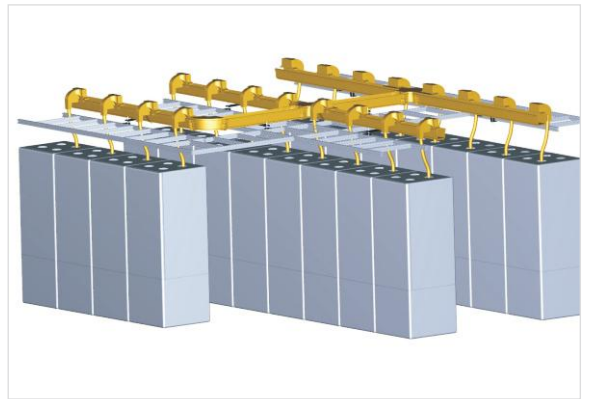
Optical Cable Tray **Catalogue**

Optical Cable Tray **Introduction**

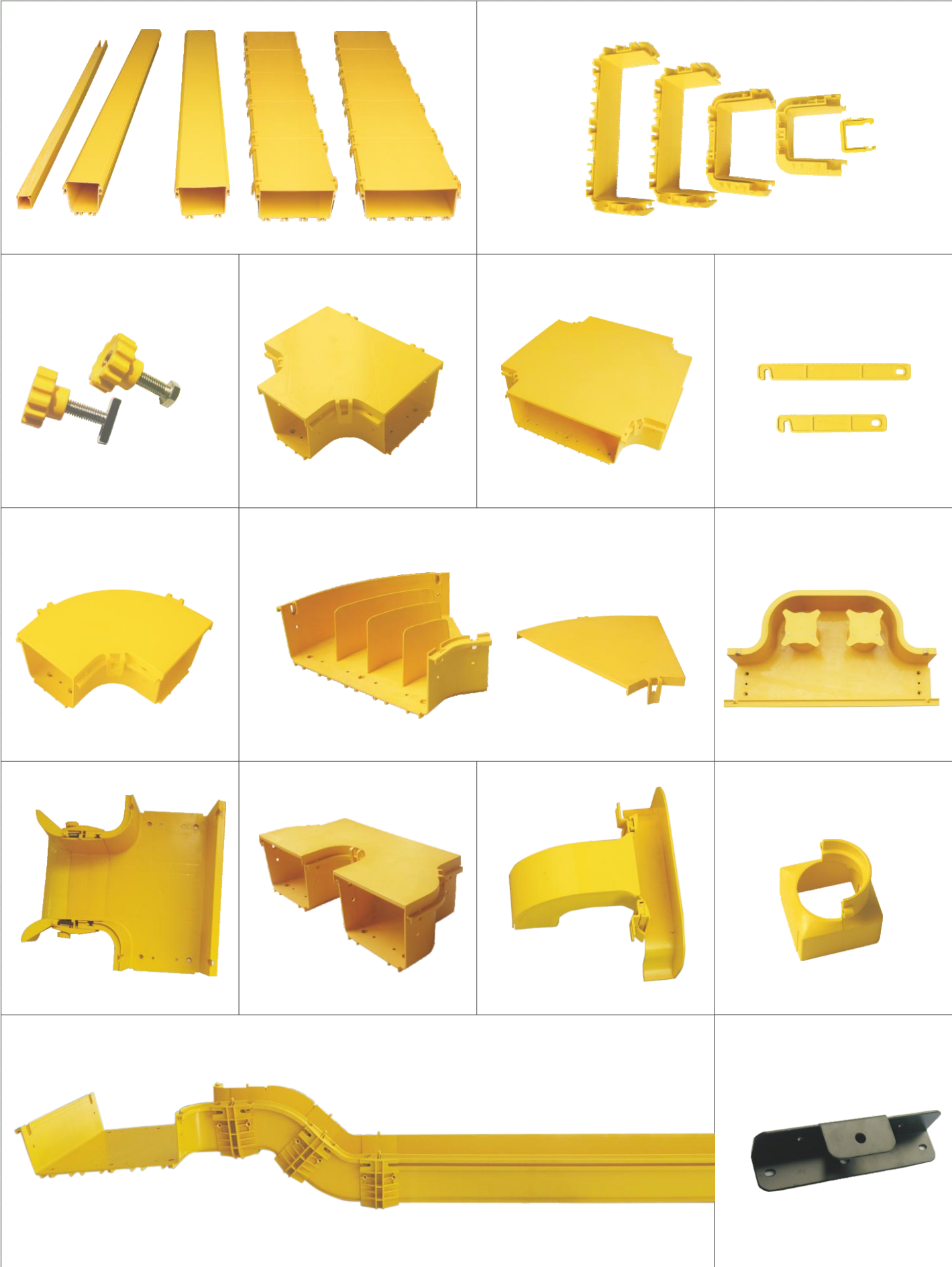


Brief Introduction:

- Optical cable tray is a system designed to protect and route fiber optic patch cords, cable assemblies to and from network cabinets, ODF and other terminal devices.
- Optical cable tray offers ideal solutions for optical raceway requirements and application with pleasing appearance and easy maintenance.
- Flame-retardant materials rated V0.
- Tool-less products boast easy and quick installation including snap-on cover, hinged cover option as well as quick exits.
- Materials:
 - Straight Sections: PVC
 - Other Plastic Parts: ABS
- Sizes from 2" x 2" to 4" x 12"
- Capacity



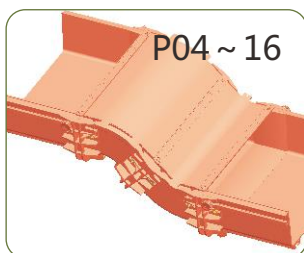
Specifications Table diameter Accumulated height	2"×2"system		4"×4"system		4"×6"system		4"×10"system		4"×12"system	
	2.0mm	3.0mm	2.0mm	3.0mm	2.0mm	3.0mm	2.0mm	3.0mm	2.0mm	3.0mm
5cm	408	176	816	352	1224	528	2040	880	2448	1056
7.5cm	-	-	1224	528	1836	792	3060	1320	3672	1584
11cm	-	-	1632	704	2448	1056	4080	1760	4896	2112





Colour Options

- ▶  Yellow
- ▶  Orange



● Sizes

▶ 2" (2"×2" 50mm × 50mm) -----	04
▶ 4" (4"×4" 100mm × 100mm) -----	06
▶ 6" (4"×6" 100mm × 150mm) -----	09
▶ 10" (4"×10" 100mm × 250mm) -----	11
▶ 12" (4"×12" 100mm × 300mm) -----	13

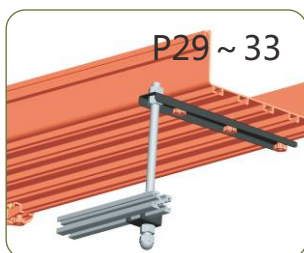


● Hybrid Connector / Adapters -----	17
-------------------------------------	----



● Exit Drop Options

▶ 2" Quick Exit with Flex Tube / Trumpet Flare Drop 1 -----	19
▶ 2" Quick Exit with Flex Tube / Trumpet Flare Drop 2 -----	20
▶ 2" Fixed Exit with Flex Tube / Trumpet Flare Drop -----	21
▶ 4" Quick Exit with Flex Tube / Trumpet Flare Drop 1 -----	22
▶ 4" Quick Exit with Flex Tube / Trumpet Flare Drop 2 -----	24
▶ 4" Fixed Exit with Flex Tube / Trumpet Flare Drop -----	26
▶ Downspout with Trumpet Flare / Trumpet Flare Drop -----	27



● Installation / Supporting Systems

▶ Anchor Support -----	29
▶ Trapeze Support -----	30
▶ Top of Rack / Cabinet Support -----	30
▶ Auxiliary Framing support -----	31
▶ Wall Support -----	31



Optical Cable Tray

2" Optical Cable Tray

2" (2"×2" 50mm×50mm)

Straight Section
P/N: A101

Remarks: 2 meter/piece •

Straight Section Cover
P/N: A102

Remarks: 2 meter/piece •

End Cap
P/N: A114

Remarks: Metal, used for straight section.

Connector
P/N: A108

90° Horizontal Elbow
P/N: A104

90° Horizontal Elbow Cover
P/N: A105

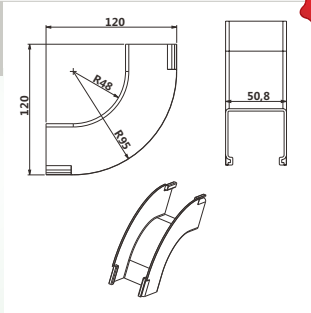
Horizontal T
P/N: A106

Horizontal T Cover
P/N: A107

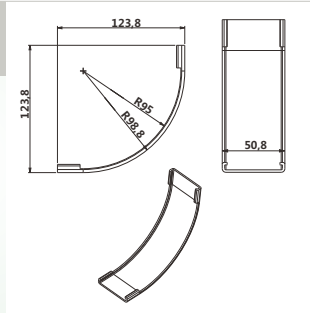
* Other lengths are available upon request.



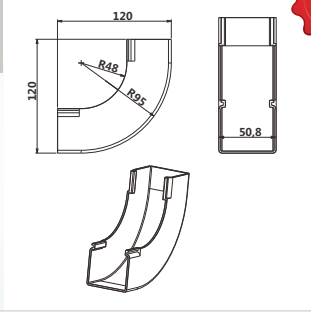
90° Up Elbow
P/N: A115



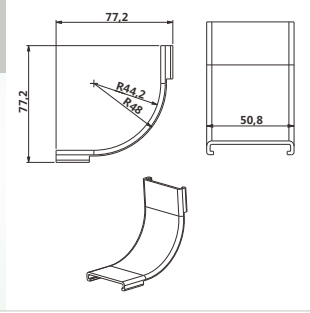
90° Up Elbow Cover
P/N: A116



90° Down Elbow
P/N: A117



90° Down Elbow Cover
P/N: A118



* Other lengths are available upon request.

4" Optical Cable Tray

4" (4"×4" 100mm×100mm)

Straight Section
P/N: A203

Remarks: 2 meter/piece *

Straight Section Cover Kit
P/N: T202

① A202 4" Straight Section 2 meter *
② A303 Hinge 5 pcs
③ A301 Fixing knob 5 pcs
④ A321 Bolt 5 pcs

End Cap
P/N: A214

Remarks: Metal, used for straight section.

Connector End Cap
P/N: A216

Remarks: Metal, used for connector.

Connector Kit A
P/N: T2041

① A204 4" Connector 1
② A301 Fixing Knob 8
③ A321 Bolt 8

Remarks: used for straight section

Connector Kit B
P/N: T2042

① A204 4" Connector 1
② A301 Fixing knob 8
③ A321 Bolt 4
④ GB5780-86 M6*25 Hexagonal Bolt 4
⑤ GB79-85M6*14 Inner Hexagon Screw 4
⑥ A201 4" Pull Rod 1

Remarks: used for other parts except straight section

90° Horizontal Elbow
P/N: A211

90° Horizontal Elbow Cover
P/N: A212

Storage Tray
P/N: T231

Storage Tray Cover
P/N: A232

* Other lengths are available upon request.

4x4 Optical Cable Tray

Horizontal T
P/N: A205

Horizontal T Cover
P/N: A206

45° Down Elbow
P/N: A208

45° Down Elbow Cover Kit
P/N: T220

Remarks: Metal material.

① A220 4° 45° Down Elbow Cover	1
② A215 Fixing unit	4
③ GB818-85 M4*10 Cross Recessed Pan Head Screw	4

45° Up Elbow
P/N: A207

45° Up Elbow Cover Kit
P/N: T219

Remarks: Metal material.

① A219 4° 45° Up Elbow Cover	1
② A215 Fixing unit	2
③ GB818-85 M4*10 Cross Recessed Pan Head Screw	2

90° Down Elbow
P/N: A209

90° Down Elbow Cover Kit
P/N: T221

Remarks: Metal material.

① A221 4° 90° Down Elbow Cover	1
② A215 Fixing unit	4
③ GB818-85 M4*10 Cross Recessed Pan Head Screw	4

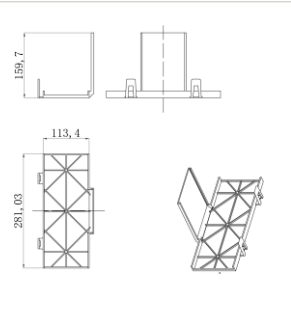
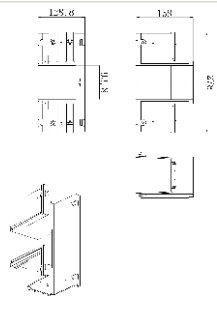


Horizontal Cross
P/N: A235



Horizontal Cross Cover
P/N: A236

4x4 Optical Cable Tray



4x4 Optical Cable Tray

6" Optical Cable Tray

6" (4"×6" 100mm×150mm)

Straight Section
P/N: A319

Remarks: 2 meter/piece *

Straight Section Cover Kit
P/N: T302

① A302 6" Straight Section Cover 2 meter *
② A303 Hinge 5 pcs
③ A301 Fixing knob 5 pcs
④ A321 Bolt 5 pcs

End Cap
P/N: A322

Remarks: Metal, used for straight section.

Connector End Cap
P/N: A325

Remarks: Metal, used for connector.

Connector Kit A
P/N: T3161

① A316 6" Connector 1
② A301 Fixing Knob 8
③ A321 Bolt 8

Remarks: used for straight section

Connector Kit B
P/N: T3162

① A316 6" Connector 1
② A301 Fixing Knob 8
③ A321 Bolt 4
④ GB5780-86 M6*25 Hexagonal Bolt 4
⑤ GB79-85M6*14 Inner Hexagon Screw 4
⑥ A304 6" Pull Rod 1

Remarks: used for other parts except straight section.

90° Horizontal Elbow
P/N: A315

90° Horizontal Elbow Cover
P/N: A318

Horizontal T
P/N: A317

Horizontal T Cover
P/N: A314

* Other length is available upon request.

Horizontal Cross
P/N: A327

Horizontal Cross Cover
P/N: A328

45° Down Elbow
P/N: A306

45° Down Elbow Cover Kit
P/N: T335

① A335 6" 45° Down Elbow Cover 1
② A215 Fixing unit 4
③ GB818-85 M4*10 Cross Recessed Pan Head Screw 4

Remarks: Metal material.

45° Up Elbow
P/N: A307

45° Up Elbow Cover Kit
P/N: T334

① A334 6" 45° Up Elbow Cover 1
② A215 Fixing unit 2
③ GB818-85 M4*10 Cross Recessed Pan Head Screw 2

Remarks: Metal material.

90° Down Elbow
P/N: A305

90° Down Elbow Cover Kit
P/N: T336

① A336 6" 90° Down Elbow Cover 1
② A215 Fixing unit 4
③ GB818-85 M4*10 Cross Recessed Pan Head Screw 4

Remarks: Metal material.

Storage Tray
P/N: T347

Storage Tray Cover
P/N: A349

4x6 Optical Cable Tray

10" Optical Cable Tray

10" (4"×10" 100mm×250mm)

Straight Section
P/N: A501

Remarks: 2 meter/piece *

Straight Section Cover
P/N: A510

Remarks: 40 cm/pc, Snap-on Cover.

Connector Kit A
P/N: T5021

Remarks: used for straight section

- ① A502 10" Connector 1
- ② A301 Fixing knob 10
- ③ A321 Bolt 10

Connector Kit B
P/N: T5022

Remarks: used for other parts except straight section

- ① A502 10" Connector 1
- ② A301 Fixing knob 12
- ③ A321 Bolt 6
- ④ GB5780-86 M6*25 Hexagonal Bolt 6
- ⑤ GB79-85M6*14 Inner Hexagon Screw 6
- ⑥ A514 10" Pull Rod 1

90° Horizontal Elbow
P/N: A513

90° Horizontal Elbow Cover
P/N: A512

Horizontal T
P/N: A504

Horizontal T Cover
P/N: A507

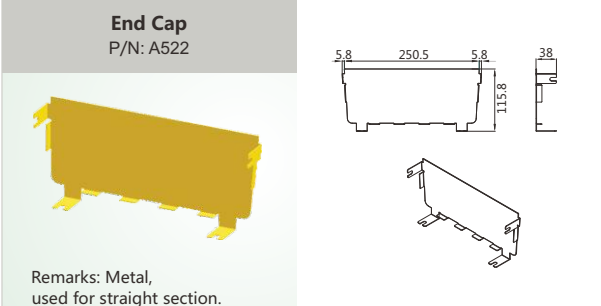
Horizontal Cross
P/N: A503

Horizontal Cross Cover
P/N: A506

* Other lengths are available upon request.

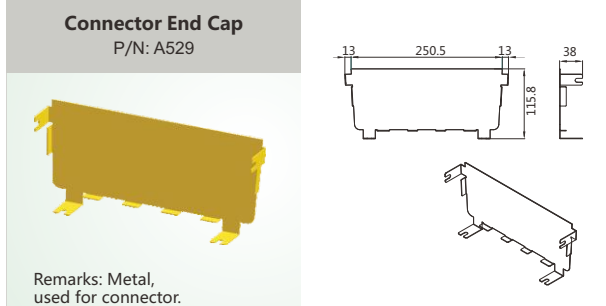
4x10 Optical Cable Tray

End Cap
P/N: A522



Remarks: Metal,
used for straight section.

Connector End Cap
P/N: A529



Remarks: Metal,
used for connector.

12" Optical Cable Tray

12" (4"×12" 100mm×300mm)

Straight Section
P/N: A403

Remarks: 2 meter/piece *

Straight Section Cover
P/N: A422

Remarks: 40 cm/pc, Snap-on Cover

Connector Kit A
P/N: T4281

Remarks: used for straight section

Connector Kit B
P/N: T4282

Remarks: used for other parts except straight section

End Cap
P/N: A431

Remarks: Metal, used for straight section.

Connector End Cap
P/N: A434

Remarks: Metal, used for connector.

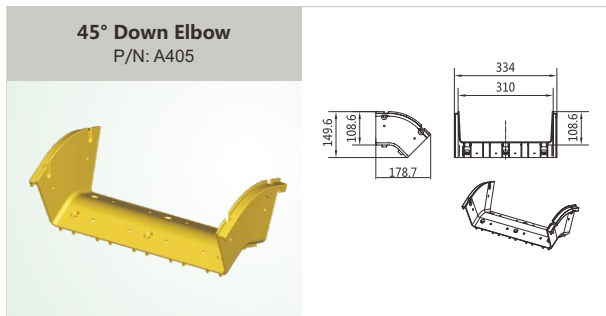
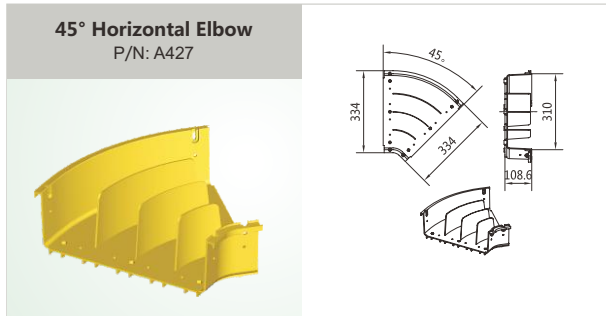
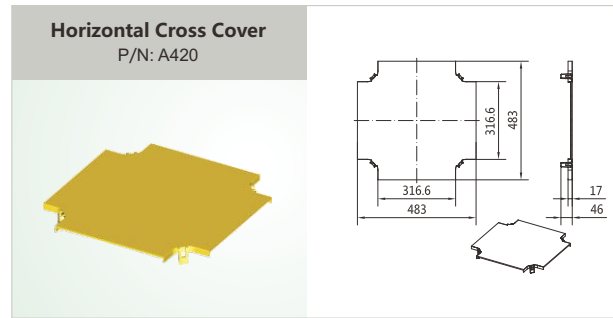
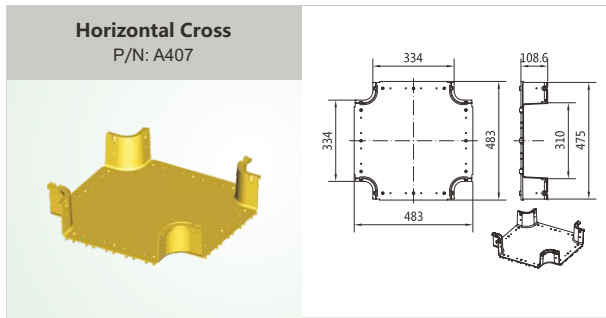
90° Horizontal Elbow
P/N: A429

90° Horizontal Elbow Cover
P/N: A425

Horizontal T
P/N: A417

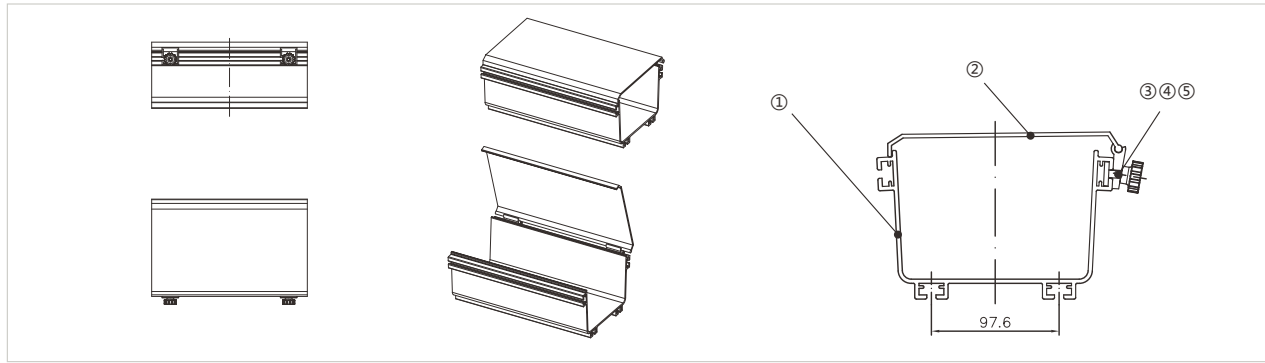
Horizontal T Cover
P/N: A418

* Other length is available upon request.



Installation Guide

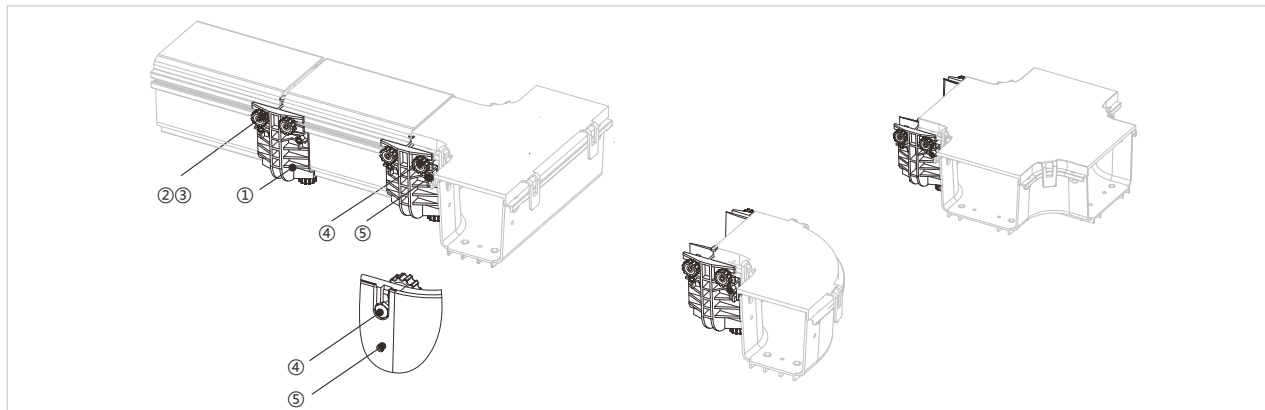
Straight Section Cover Installation -- 4" & 6"



Straight Section Cover Kit

	Item	P/N	Part	Quantity		Item	P/N	Part	Quantity
4" P/N: T202	①	A203	4" Straight Section Cover Kit		6" P/N: T302	①	A319	6" Straight Section Cover Kit	
	②	A202		2 meter		②	A302		2 meter
	③	A303		5 pcs		③	A303		5 pcs
	④	A321		5 pcs		④	A321		5 pcs
	⑤	A301		5 pcs		⑤	A301		5 pcs

Connector Installation



Connector Kit A For Straight Sections

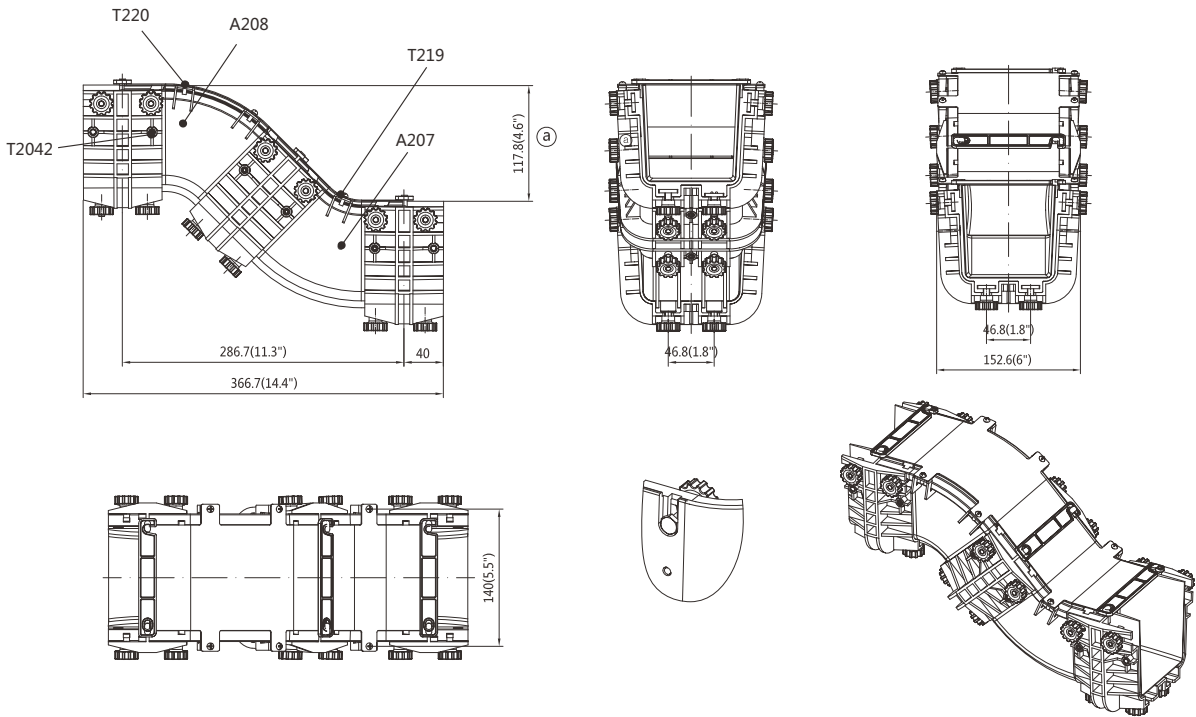
	Item	P/N	Part	Quantity		Item	P/N	Part	Quantity
4" P/N: T2041	①	A204	4" Connector Kit A	1	6" P/N: T3161	①	A316	6" Connector Kit A	1
	②	A301		8		②	A301		8
	③	A321		8		③	A321		8
10" P/N: T5021	①	A502	10" Connector Kit A	1	12" P/N: T4281	①	A428	12" Connector Kit A	1
	②	A301		10		②	A301		10
	③	A321		10		③	A321		10

Connector Kit B For Other Parts

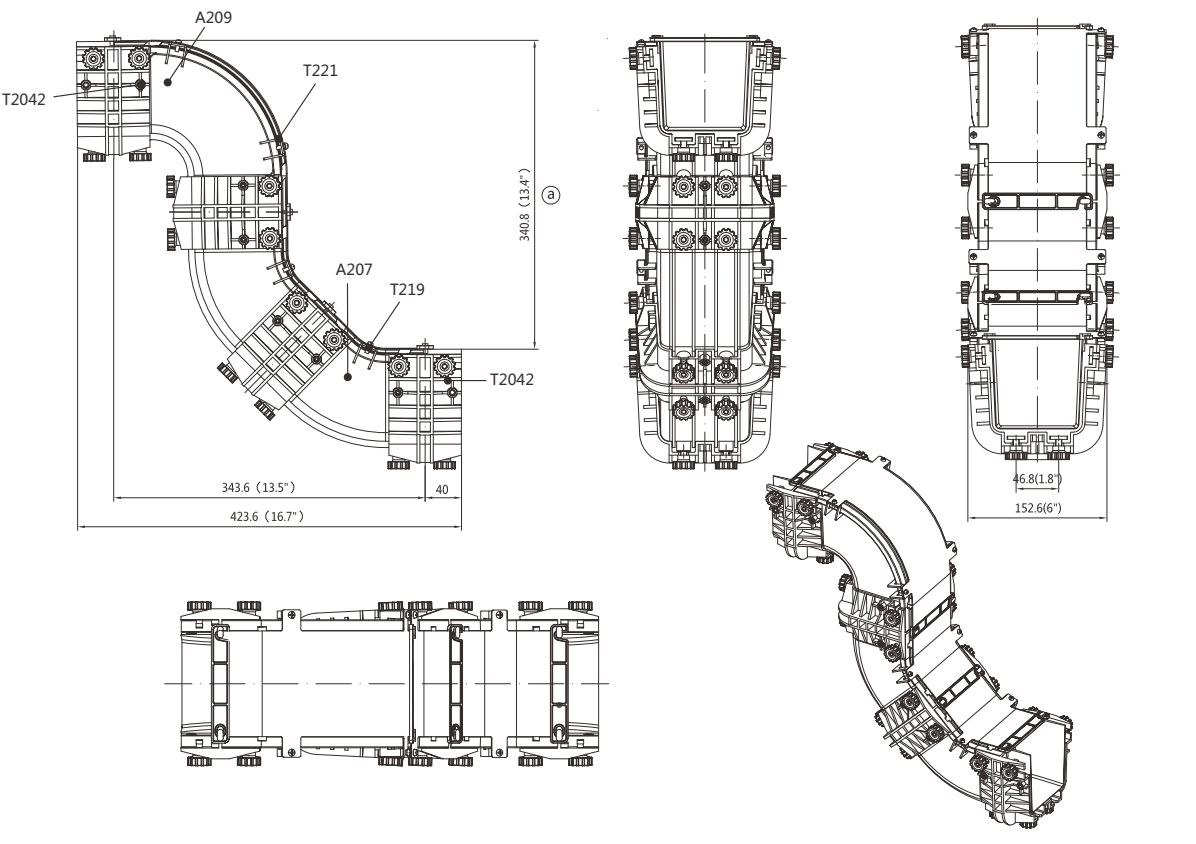
	Item	P/N	Part	Quantity		Item	P/N	Part	Quantity
4" P/N: T2042	①	A204	4" Connector Kit B	1	6" P/N: T3162	①	A316	6" Connector Kit B	1
	②	A301		8		②	A301		8
	③	A321		4		③	A321		4
	④	GB5780-86		4		④	GB5780-86		4
	⑤	GB79-85		4		⑤	GB79-85		4
10" P/N: T5022	①	A502	10" Connector Kit B	1	12" P/N: T4282	①	A428	12" Connector Kit B	1
	②	A301		12		②	A301		12
	③	A321		6		③	A321		6
	④	GB5780-86		6		④	GB5780-86		6
	⑤	GB79-85		6		⑤	GB79-85		6

Example

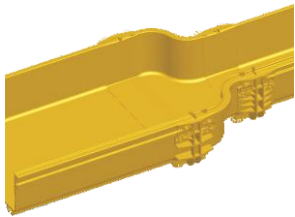
45° Climbing Installation (4")



90° Climbing Installation (4")



Optical Cable Tray



Optical Cable Tray

Hybrid Connector / Adapters

Hybrid Connector / Adapters

6" to 4" Horizontal T
P/N: A320

Technical drawings showing dimensions: 128, 112.9, 181.6, 157.6, 280.4.

6" to 4" Horizontal T Cover
P/N: A313

Technical drawings showing dimensions: 113.4, 164.2, 247.9, 259.9, 280.4, 46.

6" to 4" Horizontal Cross
P/N: A326

Technical drawings showing dimensions: 128, 181.6, 331.2, 112.9, 157.6, 280.4.

6" to 4" Horizontal Cross Cover
P/N: A329

Technical drawings showing dimensions: 113.4, 164.2, 331.2, 280.4, 46.



6" to 4" Adapter
P/N: A350

Technical drawings showing dimensions: 157.6, 138.8, 180, 181.6, 108.6, 108.8, 172.



6" to 4" Adapter Cover
P/N: A351

Technical drawings showing dimensions: 113.4, 164.2, 180.0, 17.2, 46.0.

10" to 6" Adapter
P/N: A505

Technical drawings showing dimensions: 256.2, 280.8, 181.6, 157.6.

10" to 6" Adapter Cover
P/N: A509

Technical drawings showing dimensions: 164.2, 262.8, 180, 17.2, 46.

12" to 6" Adapter
P/N: A409

12" to 6" Adapter Cover
P/N: A424

12" to Dual 6" Adapter
P/N: A411

12" to Dual 6" Adapter Cover
P/N: A423

12" to 6" Horizontal T
P/N: A408

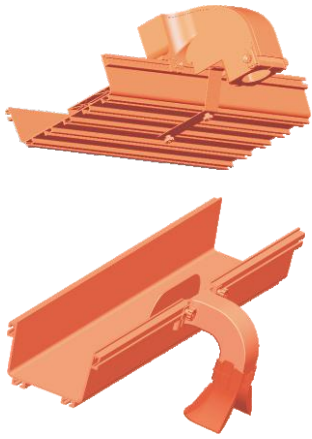
12" to 6" Horizontal T Cover
P/N: A419

12" to 6" Horizontal Cross
P/N: A410

12" to 6" Horizontal Cross Cover
P/N: A421

12" to 10" Connector Kit
P/N: T445

① A445 12" to 10" Connector	1
② A301 Fixing knob	8
③ A321 Bolt	8



Exit Drop Options

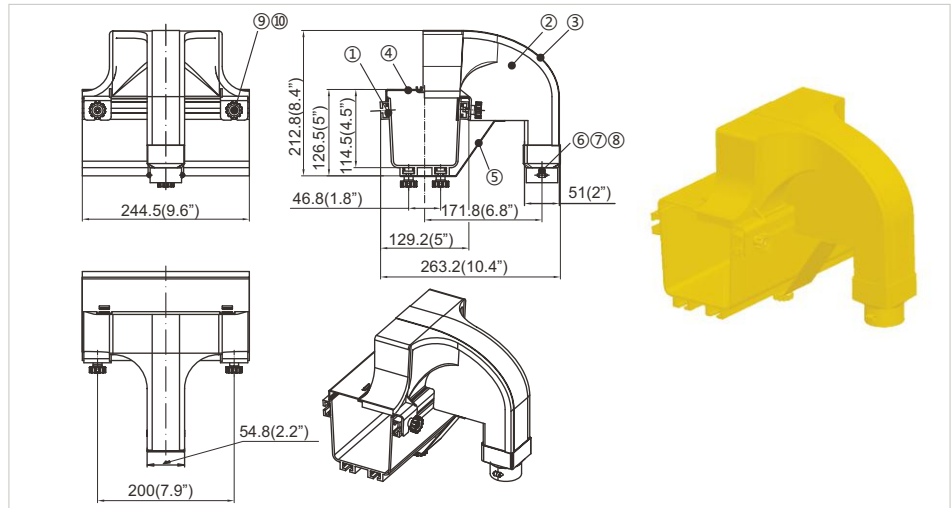


Flex Tube (diameter: 80mm)
P/N: C80



Flex Tube (diameter: 35mm)
P/N: C35

2" Quick Exit with Flex Tube Drop 1

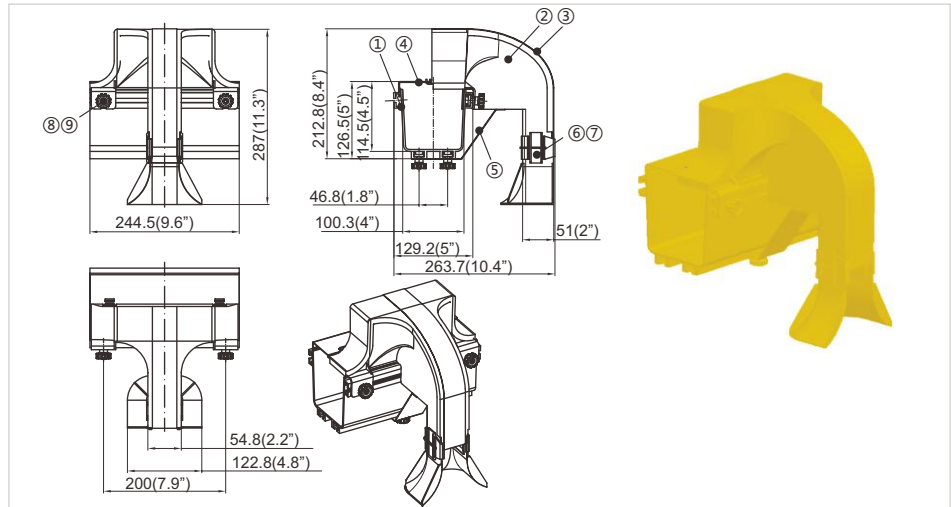


Exit Kit for 4" Tray P/N: T3091

Exit Kit for 6" Tray P/N: T3092

Item	P/N	Part	Quantity	Item	P/N	Part	Quantity
①	A203	4" Straight Section	N/A	①	A319	6" Straight Section	N/A
②	A309	2" Quick Exit	1	②	A309	2" Quick Exit	1
③	A311	2" Quick Exit Cover	1	③	A311	2" Quick Exit Cover	1
④	A250	2" Quick Exit End Cover	1	④	A312	2" Quick Exit End Cover	1
⑤	A213	4" Supporting Bracket	1	⑤	A223	6" Supporting Bracket	1
⑥	A109	Splat	1	⑥	A109	Splat	1
⑦	A110	Fiber Exit Connector	1	⑦	A110	Fiber Exit Connector	1
⑧	GB818-85	M3*8Cross Recessed Pan Head Screw	2	⑧	GB818-85	M3*8Cross Recessed Pan Head Screw	2
⑨	A301	Fixing Knob	4	⑨	A301	Fixing Knob	4
⑩	A321	Bolt	4	⑩	A321	Bolt	4

2" Quick Exit with Trumpet Flare Drop 1

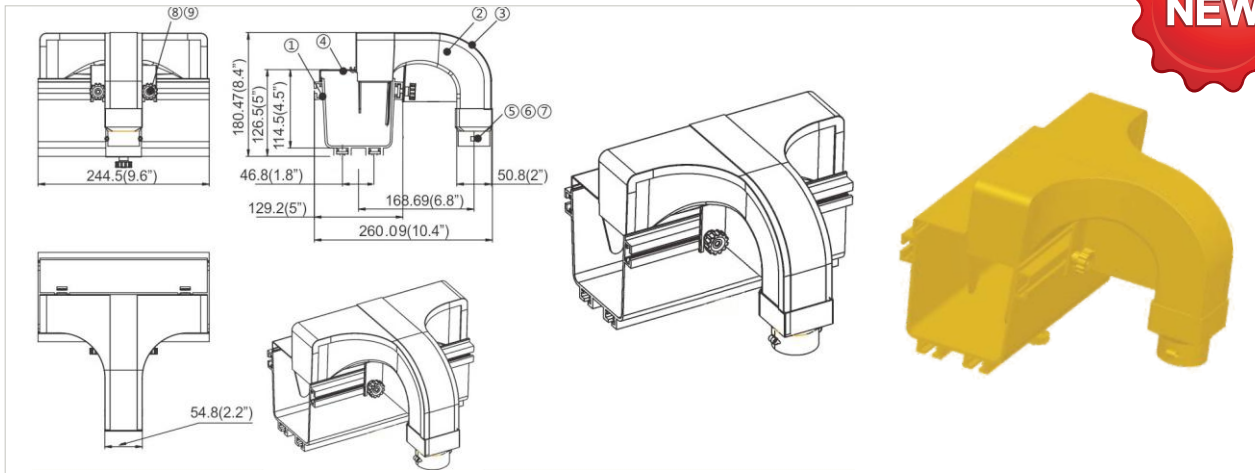


Exit Kit for 4" Tray P/N: T3093

Exit Kit for 6" Tray P/N: T3094

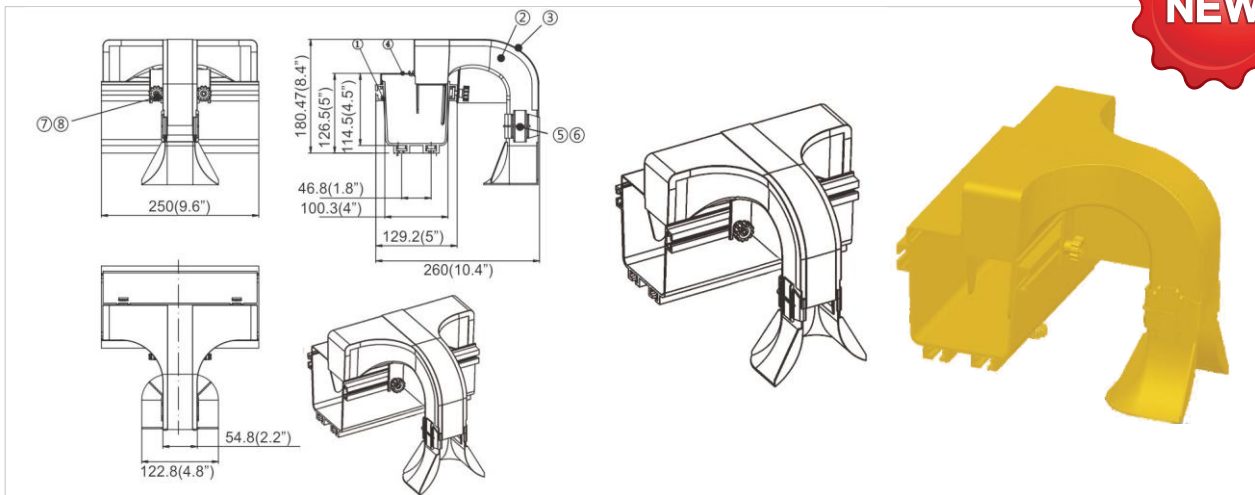
Item	P/N	Part	Quantity	Item	P/N	Part	Quantity
①	A203	4" Straight Section	N/A	①	A319	6" Straight Section	N/A
②	A309	2" Quick Exit	1	②	A309	2" Quick Exit	1
③	A311	2" Quick Exit Cover	1	③	A311	2" Quick Exit Cover	1
④	A250	2" Quick Exit End Cover	1	④	A312	2" Quick Exit End Cover	1
⑤	A213	4" Supporting Bracket	1	⑤	A223	6" Supporting Bracket	1
⑥	A108	2" Connector	1	⑥	A108	2" Connector	1
⑦	A103	Trumpet Flare	1	⑦	A103	Trumpet Flare	1
⑧	A301	Fixing Knob	4	⑧	A301	Fixing Knob	4
⑨	A321	Bolt	4	⑨	A321	Bolt	4

2" Quick Exit with Flex Tube Drop 2



Exit Kit for 4" Tray P/N: T2341					Exit Kit for 6" Tray P/N: T2342				
Item	P/N	Part	Quantity		Item	P/N	Part	Quantity	
P/N: T2341	①	A203	4" Straight Section	N/A	P/N: T2342	①	A319	6" Straight Section	N/A
	②	A234	2" Quick Exit	1		②	A234	2" Quick Exit	1
	③	A233	2" Quick Exit Cover	1		③	A233	2" Quick Exit Cover	1
	④	A250	2" Quick Exit End Cover	1		④	A356	2" Quick Exit End Cover	1
	⑤	A109	Splat	1		⑤	A109	Splat	1
	⑥	A110	Fiber Exit Connector	1		⑥	A110	Fiber Exit Connector	1
	⑦	GB818-85	M3*8Cross Recessed Pan Head Screw	2		⑦	GB818-85	M3*8Cross Recessed Pan Head Screw	2
	⑧	A301	Fixing Knob	2		⑧	A301	Fixing Knob	2
	⑨	A321	Bolt	2		⑨	A321	Bolt	2

2" Quick Exit with Trumpet Flare Drop 2

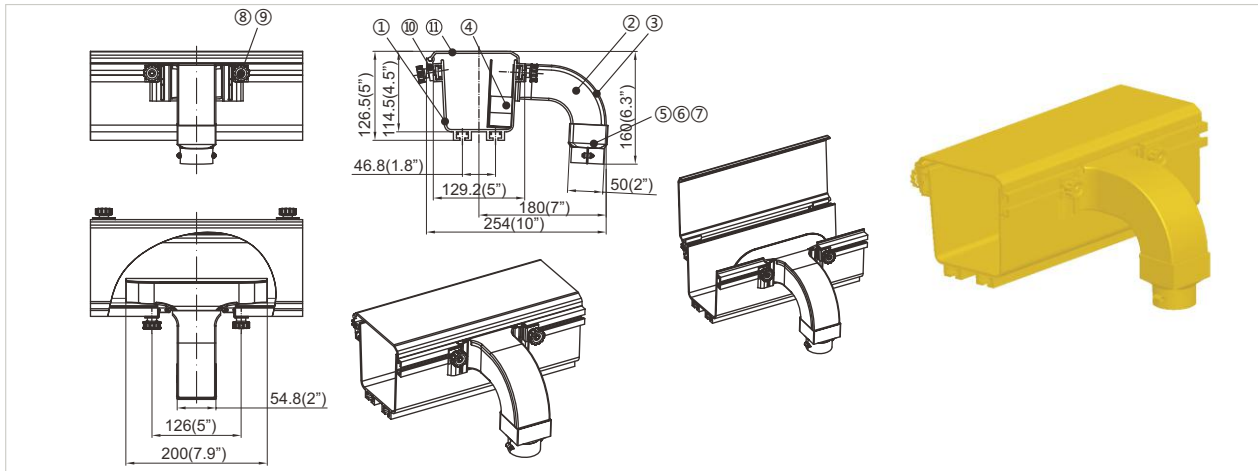


Exit Kit for 4" Tray P/N: T2343					Exit Kit for 6" Tray P/N: T2344				
Item	P/N	Part	Quantity		Item	P/N	Part	Quantity	
P/N: T2343	①	A203	4" Straight Section	N/A	P/N: T2344	①	A319	6" Straight Section	N/A
	②	A234	2" Quick Exit	1		②	A234	2" Quick Exit	1
	③	A233	2" Quick Exit Cover	1		③	A233	2" Quick Exit Cover	1
	④	A250	2" Quick Exit End Cover	1		④	A356	2" Quick Exit End Cover	1
	⑤	A108	2" Connector	1		⑤	A108	2" Connector	1
	⑥	A103	Trumpet Flare	1		⑥	A103	Trumpet Flare	1
	⑦	A301	Fixing Knob	2		⑦	A301	Fixing Knob	2
	⑧	A321	Bolt	2		⑧	A321	Bolt	2

Exit Drop Options

2" Exit Drop Options

2" Fixed Exit with Flex Tube Drop (required to remove sidewall)

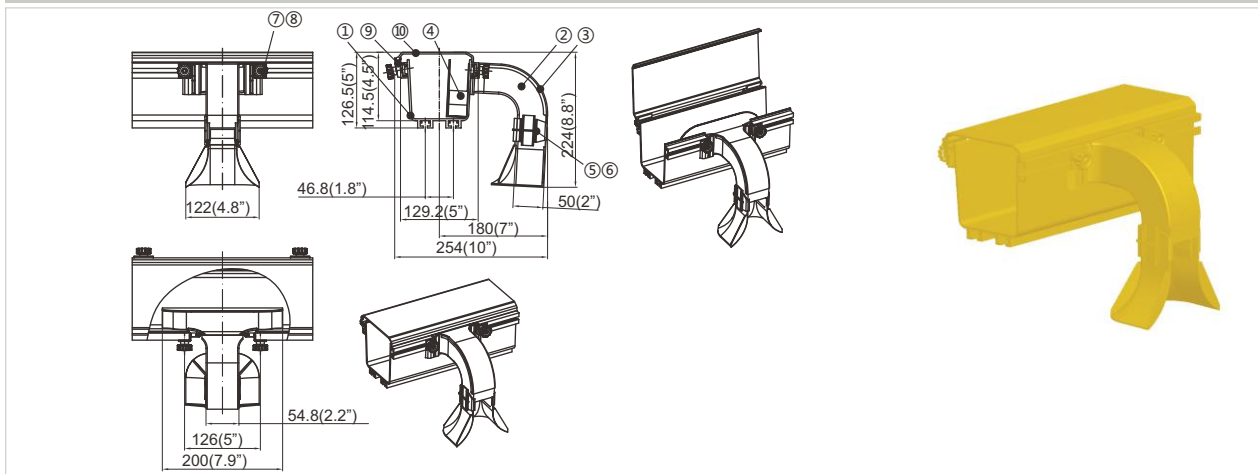


Exit Kit for 4" Tray P/N: T1111

Exit Kit for 6" Tray P/N: T1112

Item	P/N	Part	Quantity	Item	P/N	Part	Quantity
①	A203	4" Straight Section	N/A	①	A319	6" Straight Section	N/A
②	A111	2" Fixed Exit	1	②	A111	2" Fixed Exit	1
③	A113	2" Fixed Exit Cover	1	③	A113	2" Fixed Exit Cover	1
④	A112	2" Tray Fiber Runner	1	④	A112	2" Tray Fiber Runner	1
⑤	A109	Splat	1	⑤	A109	Splat	1
⑥	A110	Flex tube attachment	1	⑥	A110	Flex tube attachment	1
⑦	A301	Fixing Knob	2	⑦	A301	Fixing Knob	2
⑧	A321	Bolt	2	⑧	A321	Bolt	2
⑨	A303	Hinge		⑨	A303	Hinge	
⑩	A202	4" Straight Section Cover		⑩	A302	6" Straight Section Cover	

2" Fixed Exit With Trumpet Flare Drop (required to remove sidewall)



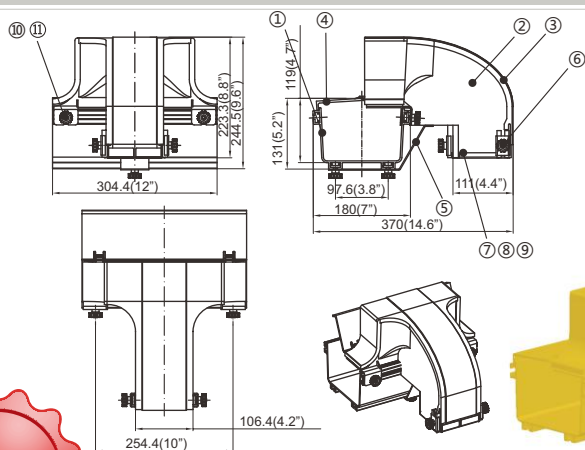
Exit Kit for 4" Tray P/N: T1113

Exit Kit for 6" Tray P/N: T1114

Item	P/N	Part	Quantity	Item	P/N	Part	Quantity
①	A203	4" Straight Section	N/A	①	A319	6" Straight section	N/A
②	A111	2" Fixed Exit	1	②	A111	2" Fixed Exit	1
③	A113	2" Fixed Exit Cover	1	③	A113	2" Fixed Exit Cover	1
④	A112	2" Tray Fiber Runner	1	④	A112	2" Tray Fiber Runner	1
⑤	A108	2" Connector	1	⑤	A108	2" Connector	1
⑥	A103	Trumpet Flare	1	⑥	A103	Trumpet Flare	1
⑦	A301	Fixing Knob	2	⑦	A301	Fixing Knob	2
⑧	A321	Bolt	2	⑧	A321	Bolt	2
⑨	A303	Hinge	N/A	⑨	A303	Hinge	N/A
⑩	A202	4" Straight Section Cover	N/A	⑩	A302	6" Straight Section Cover	N/A

Exit Drop Options

4" Quick Exit with Flex Tube Drop 1



P/N: T413

- 1: 2 Holes (35 mm each)
- 2: 3 Holes (35 mm each)
- 3: 1 Holes (80 mm each)
- 1: for 6" Tray
- 2: for 10" Tray
- 3: for 12" Tray
- 4: for 4" Tray



Exit Kit for 4" Tray P/N: T413 __

Exit Kit for 6" Tray P/N: T413 __

Item	P/N	Part	Quantity	Item	P/N	Part	Quantity
①	A203	4" Straight Section	N/A	①	A319	6" Straight Section	N/A
②	A413	4" Quick Exit	1	②	A413	4" Quick Exit	1
③	A415	4" Quick Exit Cover	1	③	A415	4" Quick Exit Cover	1
④	A239	4" to 4" Exit Cover	1	④	A344	4" Quick Exit End Cover	1
⑤	A213	4" Supporting Bracket	1	⑤	A323	6" Supporting Bracket	1
⑥	A324	Lock Washer	3	⑥	A324	Lock Washer	3
⑦	A432	4" Fiber Board (1)	1	⑦	A432	4" Fiber Board (1)	Choose one
⑧	A433	4" Fiber Board (2)	1	⑧	A433	4" Fiber Board (2)	
⑨	A443	4" Fiber Board (3)	1	⑨	A443	4" Fiber Board (3)	
⑩	A301	Fixing Knob	7	⑩	A301	Fixing Knob	7
⑪	A321	Bolt	7	⑪	A321	Bolt	7

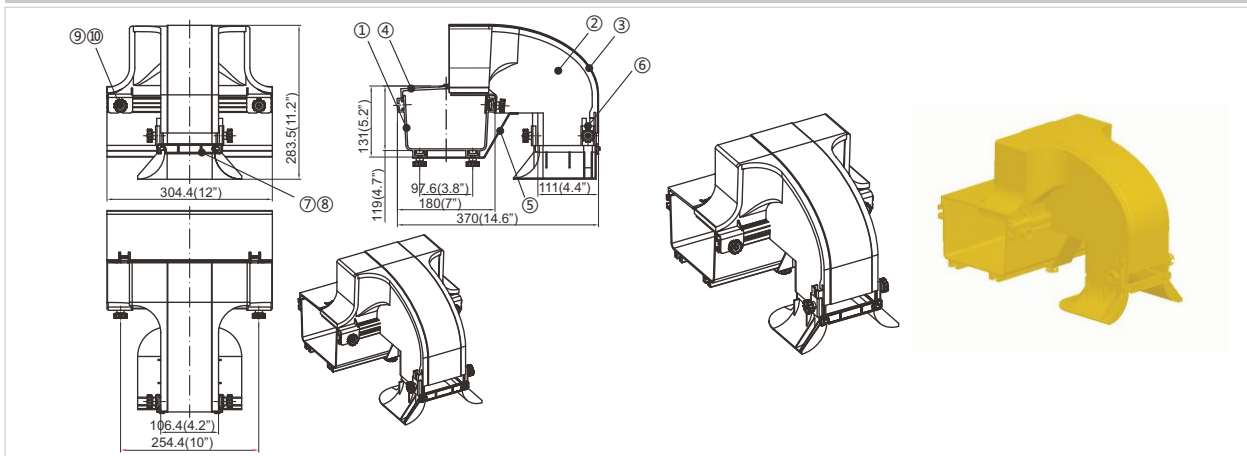
Exit Kit for 10" Tray P/N: T413 __

Exit Kit for 12" Tray P/N: T413 __

Item	P/N	Part	Quantity	Item	P/N	Part	Quantity
①	A501	10" Straight Section	N/A	①	A403	12" Straight Section	N/A
②	A413	4" Quick Exit	1	②	A413	4" Quick Exit	1
③	A415	4" Quick Exit Cover	1	③	A415	4" Quick Exit Cover	1
④	A511	4" Quick Exit End Cover	1	④	A416	4" Quick Exit End Cover	1
⑤	A515	10" Supporting Bracket	1	⑤	A430	12" Supporting Bracket	1
⑥	A324	Lock Washer	3	⑥	A324	Lock Washer	3
⑦	A432	4" Fiber Board (1)	Choose one	⑦	A432	4" Fiber Board (1)	Choose one
⑧	A433	4" Fiber Board (2)					
⑨	A443	4" Fiber Board (3)					
⑩	A301	Fixing Knob	7	⑩	A301	Fixing Knob	7
⑪	A321	Bolt	7	⑪	A321	Bolt	7

Exit Drop Options

4" Quick Exit with Trumpet Flare Drop 1



Exit Kit for 4" Tray P/N: T41344

Exit Kit for 6" Tray P/N: T41314

Item	P/N	Part	Quantity	Item	P/N	Part	Quantity
①	A203	4" Straight Section	N/A	①	A319	6" Straight Section	N/A
②	A413	4" Quick Exit	1	②	A413	4" Quick Exit	1
③	A415	4" Quick Exit Cover	1	③	A415	4" Quick Exit Cover	1
④	A239	4" to 4" Exit Cover	1	④	A344	4" Quick Exit End Cover	1
⑤	A213	4" Supporting Bracket	1	⑤	A323	6" Supporting Bracket	1
⑥	A324	Lock Washer	3	⑥	A324	Splat	3
⑦	A210	4" Trumpet Flare	1	⑦	A210	4" Trumpet Flare	1
⑧	A201	4" Pull Rod	1	⑧	A201	4" Pull Rod	1
⑨	A301	Fixing Knob	7	⑨	A301	Fixing Knob	7
⑩	A321	Bolt	7	⑩	A321	Bolt	7

Exit Kit for 10" Tray P/N: T41324

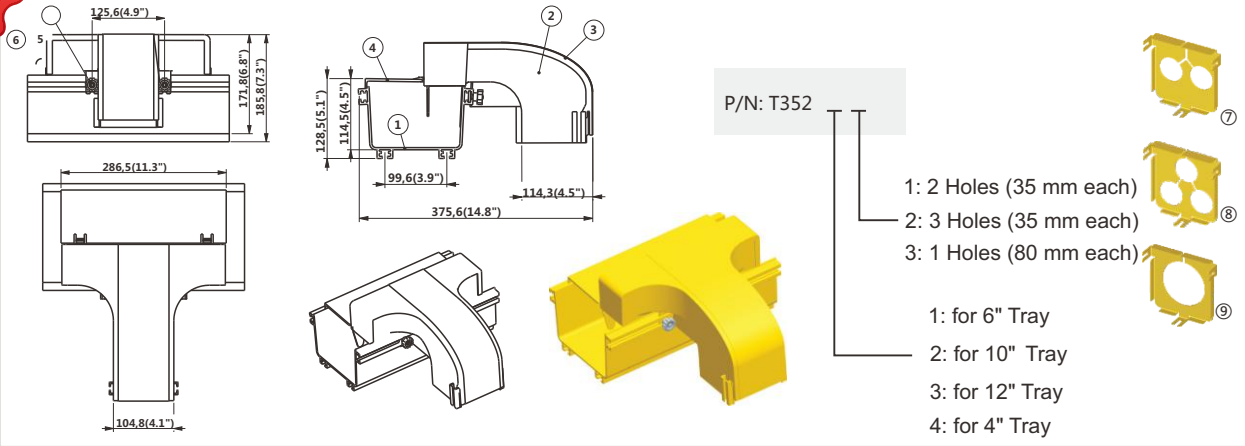
Exit Kit for 12" Tray P/N: T41334

Item	P/N	Part	Quantity	Item	P/N	Part	Quantity
①	A501	10" Straight Section	N/A	①	A403	12" Straight Section	N/A
②	A413	4" Quick Exit	1	②	A413	4" Quick Exit	1
③	A415	4" Quick Exit Cover	1	③	A415	4" Quick Exit Cover	1
④	A511	4" Quick Exit End Cover	1	④	A416	4" Quick Exit End Cover	1
⑤	A515	10" Supporting Bracket	1	⑤	A430	12" Supporting Bracket	1
⑥	A324	Splat	3	⑥	A324	Lock Washer	3
⑦	A210	4" Trumpet Flare	1	⑦	A210	4" Trumpet Flare	1
⑧	A201	4" Pull Rod	1	⑧	A201	4" Pull Rod	1
⑨	A301	Fixing Knob	7	⑨	A301	Fixing Knob	7
⑩	A321	Bolt	7	⑩	A321	Bolt	7

Exit Drop Options



4" Quick Exit with Flex Tube Drop 2



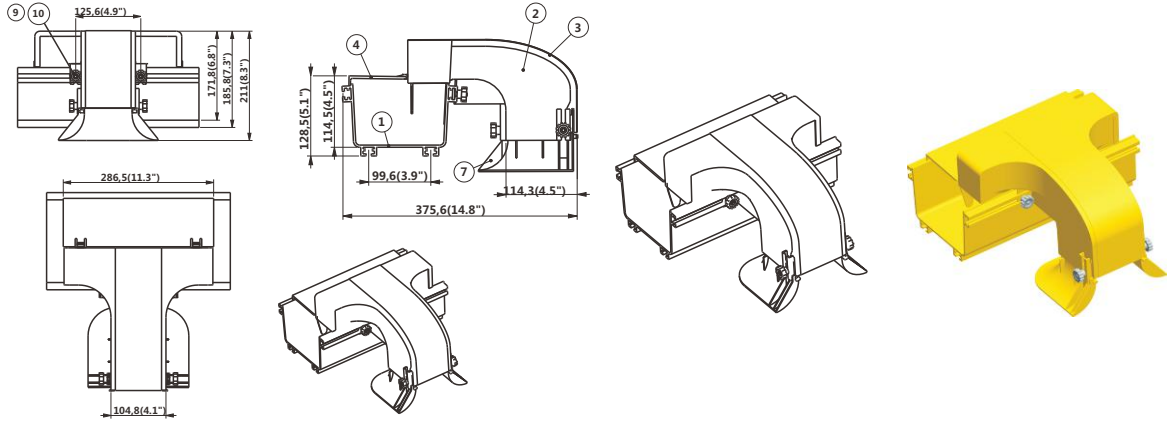
Exit Kit for 4" Tray P/N: T352 __					Exit Kit for 6" Tray P/N: T352 __				
Item	P/N	Part	Quantity		Item	P/N	Part	Quantity	
①	A203	4" Straight Section	N/A		①	A319	6" Straight Section	N/A	
②	A352	4" Quick Exit	1	P/N: T352 __	②	A352	4" Quick Exit	1	
③	A353	4" Quick Exit Cover	1		③	A353	4" Quick Exit Cover	1	
④	A237	4" to 4" Exit Cover	1		④	A354	6" to 4" Exit Cover	1	
⑤	A324	Lock Washer	3		⑤				
⑥	A432	4" Fiber Board (1)	1		⑥	A324	Lock Washer	3	
⑦	A433	4" Fiber Board (2)	1		⑦	A432	4" Fiber Board (1)	Choose one	
⑧	A443	4" Fiber Board (3)	1		⑧	A433	4" Fiber Board (2)		
⑨	A301	Fixing Knob	5		⑨	A443	4" Fiber Board (3)		
⑩	A321	Bolt	5		⑩	A301	Fixing Knob	5	
						⑪	A321	Bolt	5

Exit Kit for 10" Tray P/N: T352 __					Exit Kit for 12" Tray P/N: T352 __				
Item	P/N	Part	Quantity		Item	P/N	Part	Quantity	
①	A501	10" Straight Section	N/A		①	A403	12" Straight Section	N/A	
②	A352	4" Quick Exit	1	P/N: T352 __	②	A352	4" Quick Exit	1	
③	A353	4" Quick Exit Cover	1		③	A353	4" Quick Exit Cover	1	
④					④				
⑤					⑤				
⑥	A324	Lock Washer	3		⑥	A324	Lock Washer	3	
⑦	A432	4" Fiber Board (1)	Choose one		⑦	A432	4" Fiber Board (1)	Choose one	
⑧	A433	4" Fiber Board (2)							
⑨	A443	4" Fiber Board (3)							
⑩	A301	Fixing Knob	5		⑩	A301	Fixing Knob	5	
⑪	A321	Bolt	5		⑪	A321	Bolt	5	

Exit Drop Options



4" Quick Exit with Trumpet Flare Drop 2



Exit Kit for 4" Tray P/N: T35244

Exit Kit for 6" Tray P/N: T35214

Item	P/N	Part	Quantity	Item	P/N	Part	Quantity
①	A203	4" Straight Section	N/A	①	A319	6" Straight Section	N/A
②	A352	4" Quick Exit	1	②	A352	4" Quick Exit	1
③	A353	4" Quick Exit Cover	1	③	A353	4" Quick Exit Cover	1
④	A237	4" to 4" Exit Cover	1	④	A354	6" to 4" Exit Cover	1
⑤	A324	Lock Washer	3	⑤			
⑥	A210	4" Trumpet Flare	1	⑥	A324	Lock Washer	3
⑦	A201	4" Pull Rod	1	⑦	A210	4" Trumpet Flare	1
⑧	A301	Fixing Knob	5	⑧	A201	4" Pull Rod	1
⑨	A321	Bolt	5	⑨	A301	Fixing Knob	5
				⑩	A321	Bolt	5

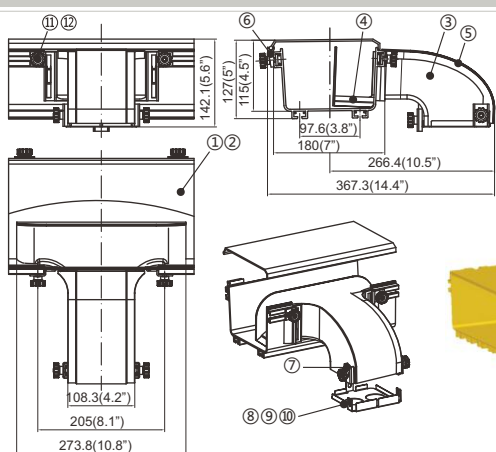
Exit Kit for 10" Tray P/N: T35224

Exit Kit for 12" Tray P/N: T35234

Item	P/N	Part	Quantity	Item	P/N	Part	Quantity
①	A501	10" Straight Section	N/A	①	A403	12" Straight Section	N/A
②	A352	4" Quick Exit	1	②	A352	4" Quick Exit	1
③	A353	4" Quick Exit Cover	1	③	A353	4" Quick Exit Cover	1
④				④			
⑤				⑤			
⑥	A324	Lock Washer	3	⑥	A324	Lock Washer	3
⑦	A210	4" Trumpet Flare	1	⑦	A210	4" Trumpet Flare	1
⑧	A201	4" Pull Rod	1	⑧	A201	4" Pull Rod	1
⑨	A301	Fixing Knob	5	⑨	A301	Fixing Knob	5
⑩	A321	Bolt	5	⑩	A321	Bolt	5

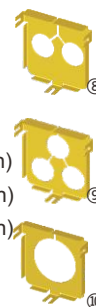
Exit Drop Options

4" Fixed Exit with Flex Tube Drop (required to remove sidewall)



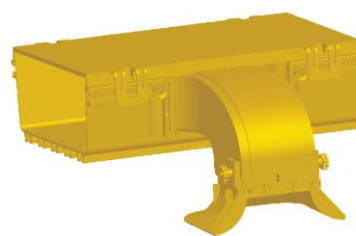
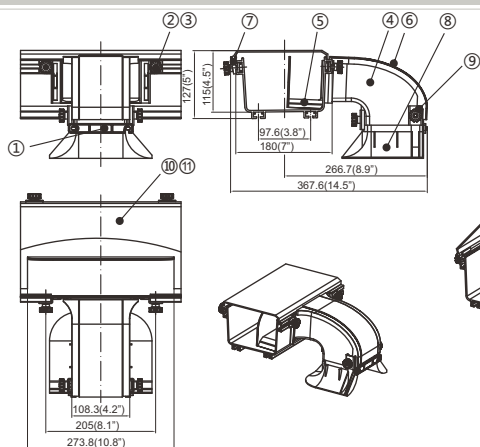
P/N: T228

- 1: 2 Holes (35 mm each)
 - 2: 3 Holes (35 mm each)
 - 3: 1 Holes (80 mm each)
- 1: for 6" Tray
 - 2: for 10" Tray
 - 3: for 12" Tray



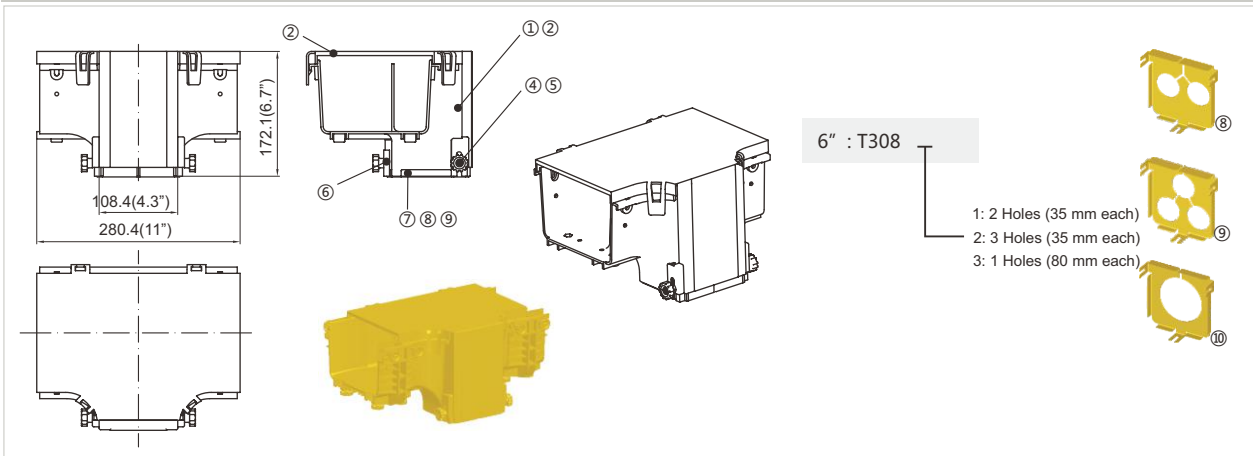
Exit Kit for 6" Tray P/N: T228_				Exit Kit for 10" Tray P/N: T228_				Exit Kit for 12" Tray P/N: T228_					
Item	P/N	Part	Quantity	Item	P/N	Part	Quantity	Item	P/N	Part	Quantity		
①	A319	6" Straight Section	N/A	①	A501	10" Straight Section	N/A	①	A403	12" Straight Section	N/A		
②	A302	6" Straight Section Cover	N/A	②	A510	10" Straight Section Cover	N/A	②	A422	12" Straight Section Cover	N/A		
P/N: T228_	③	A228	4" Fixed Exit	1	③	A228	4" Fixed Exit	1	③	A228	4" Fixed Exit	1	
	④	A229	4" Tray Fiber Runner	1	④	A229	4" Tray Fiber Runner	1	④	A229	4" Tray Fiber Runner	1	
	⑤	A230	4" Fixed Exit Cover	1	⑤	A230	4" Fixed Exit Cover	1	⑤	A230	4" Fixed Exit Cover	1	
	⑥	A303	Hinge	2	⑦	A324	lock washer	3	⑦	A324	lock washer	3	
	⑦	A324	lock washer	3	Choose one	⑧	A432	4" Fiber Board (1)	Choose one	⑧	A432	4" Fiber Board (1)	
	⑧	A432	4" Fiber Board (1)	Choose one		⑨	A433	4" Fiber Board (2)		Choose one	⑨	A433	4" Fiber Board (2)
	⑨	A433	4" Fiber Board (2)			⑩	A443	4" Fiber Board (3)			⑩	A443	4" Fiber Board (3)
	⑩	A443	4" Fiber Board (3)	⑪	A301	Fixing Knob	5	⑪	A301	Fixing Knob	5		
	⑪	A301	Fixing Knob	5	⑫	A321	Bolt	5	⑫	A321	Bolt	5	
	⑫	A321	Bolt	5									

4" Fixed Express Exit With Trumpet Flare



Exit Kit for 6" Tray P/N: T22814				Exit Kit for 10" Tray P/N: T22824				Exit Kit for 12" Tray P/N: T22834				
Item	P/N	Part	Quantity	Item	P/N	Part	Quantity	Item	P/N	Part	Quantity	
P/N: T22814	①	A201	4" Pull Rod	1	①	A201	4" Pull Rod	1	①	A201	4" Pull Rod	1
	②	A301	Fixing Knob	5	②	A301	Fixing Knob	5	②	A301	Fixing Knob	5
	③	A321	Bolt	5	③	A321	Bolt	5	③	A321	Bolt	5
	④	A228	4" Fixed Exit	1	④	A228	4" Fixed Exit	1	④	A228	4" Fixed Exit	1
	⑤	A229	4" Tray Fiber Runner	1	⑤	A229	4" Tray Fiber Runner	1	⑤	A229	4" Tray Fiber Runner	1
	⑥	A230	4" Fixed Exit Cover	1	⑥	A230	4" Fixed Exit Cover	1	⑥	A230	4" Fixed Exit Cover	1
	⑦	A303	Hinge	1	⑦	A303	Hinge	1	⑦	A303	Hinge	1
	⑧	A210	Trumpet Flare	1	⑧	A210	Trumpet Flare	1	⑧	A210	Trumpet Flare	1
	⑨	A324	Lock Washer	3	⑨	A324	Lock Washer	3	⑨	A324	Lock Washer	3
	⑩	A319	6" Straight Section	N/A	⑩	A501	10" Straight Section	N/A	⑩	A403	12" Straight Section	N/A
	⑪	A302	6" Straight Section Cover	N/A	⑪	A510	10" Straight Section Cover	N/A	⑪	A422	12" Straight Section Cover	N/A

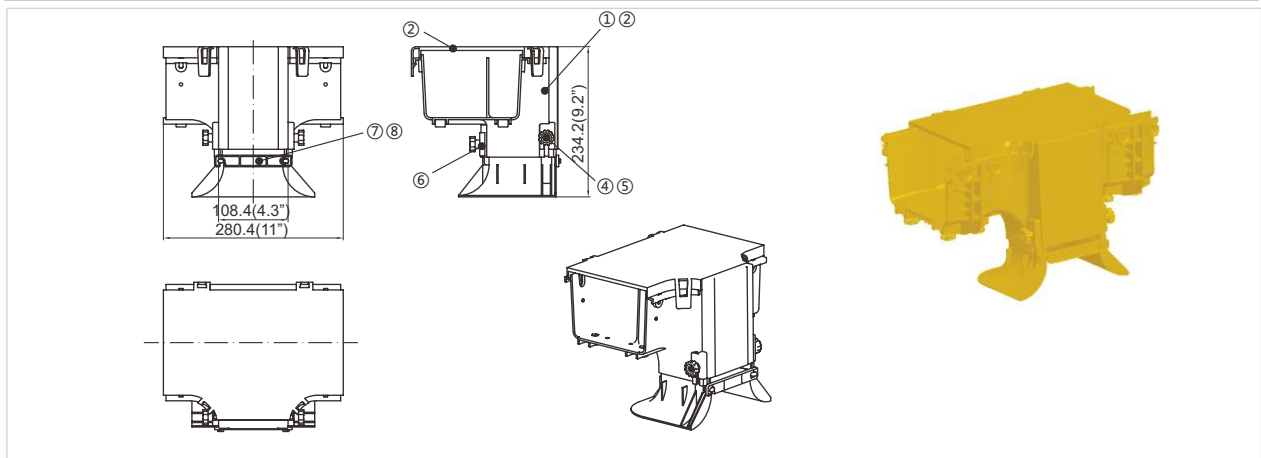
Downspout with Flex Tube



Downspout for 6" Tray P/N: T308_

	Item	P/N	Part	Quantity
P/N: T308_	①	A308	6" Downspout	1
	②	A355	6" Fiber Splitting Excess/Exit tray Front Cover	1
	③			
	④	A301	Fixing Knob	3
	⑤	A321	Bolt	3
	⑥	A324	Lock Washer	3
	⑦	A432	4" Fiber Board (1)	Choose one
	⑧	A433	4" Fiber Board (2)	
	⑨	A443	4" Fiber Board (3)	

Downspout with Trumpet Flare

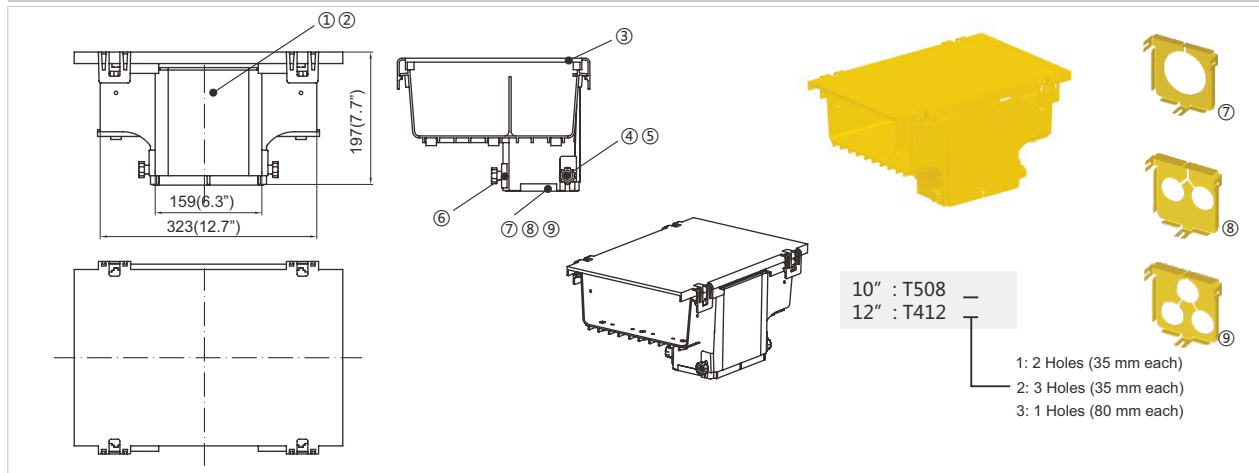


Downspout for 6" Tray P/N: T3084

	Item	P/N	Part	Quantity
P/N: T3084	①	A308	6" Downspout	1
	②	A355	6" downspout front cover	1
	③			
	④	A301	Fixing Knob	3
	⑤	A321	Bolt	3
	⑥	A324	Lock Washer	1
	⑦	A201	4" Pull Rod	1
	⑧	A210	4" Trumpet Flare	1

Exit Drop Options

Downspout with Flex Tube

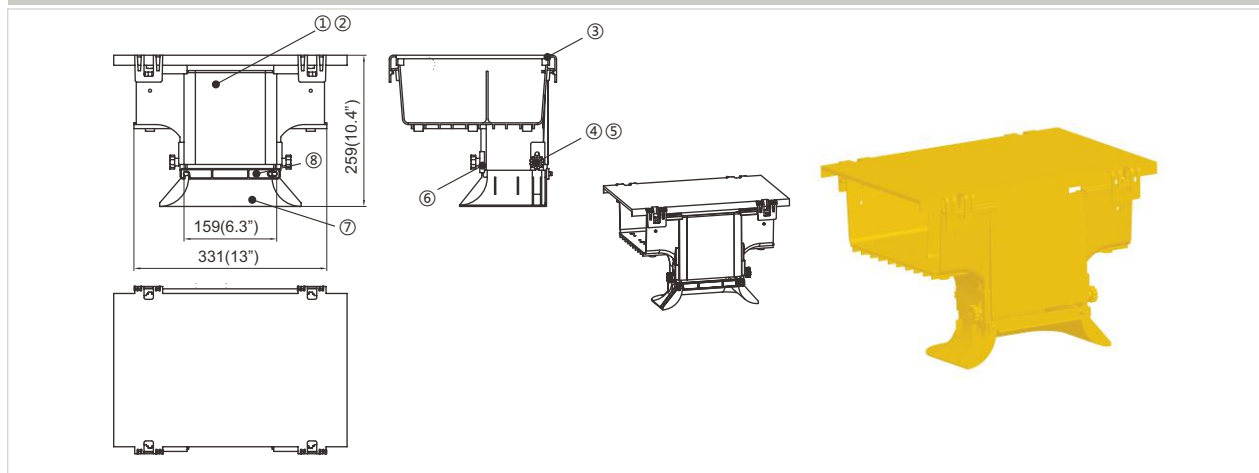


Downspout for 10" Tray P/N: T508 _

Downspout for 12" Tray P/N: T412 _

Item	P/N	Part	Quantity	Item	P/N	Part	Quantity
①	A508	10" Downspout	1	①	A412	12" Downspout	1
②	A444	12" Downspout Front Cover	1	②	A444	12" Downspout Front Cover	1
③	A510	10" Straight Section Cover	1	③	A422	12" Straight Section Cover	1
④	A301	Fixing Knob	4	④	A301	Fixing Knob	4
⑤	A321	Bolt	4	⑤	A321	Bolt	4
⑥	A324	Lock Washer	4	⑥	A324	Lock Washer	4
⑦	A450	12" Fiber Board (1)	Choose one	⑦	A450	12" Fiber Board (1)	Choose one
⑧	A451	12" Fiber Board (2)		⑧	A451	12" Fiber Board (2)	
⑨	A452	12" Fiber Board (3)		⑨	A452	12" Fiber Board (3)	

Downspout with Trumpet Flare



Downspout for 10" Tray P/N: T50824

Downspout for 12" Tray P/N: T41234

Item	P/N	Part	Quantity	Item	P/N	Part	Quantity
①	A508	10" Downspout	1	①	A412	12" Downspout	1
②	A444	12" Downspout Front Cover	1	②	A444	12" Downspout Front Cover	1
③	A510	10" Straight Section Cover	1	③	A422	12" Straight Section Cover	1
④	A301	Fixing Knob	4	④	A301	Fixing Knob	4
⑤	A321	Bolt	4	⑤	A321	Bolt	4
⑥	A324	Lock Washer	4	⑥	A324	Lock Washer	4
⑦	A310	6" Trumpet flare	1	⑦	A310	6" Trumpet flare	1
⑧	A304	6" Pull rod	1	⑧	A304	6" Pull rod	1

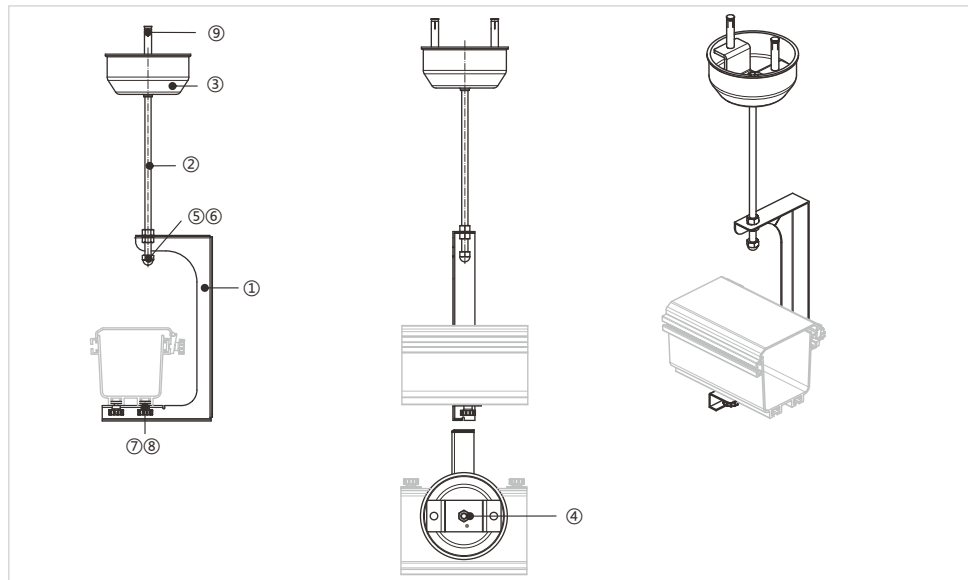
*T50824 in previous version



Installation / Supporting Systems

- Anchor Support
- Trapeze Support
- Top of Rack/Cabinet Support
- Auxiliary Framing support
- Side Bracing Support

Anchor Support

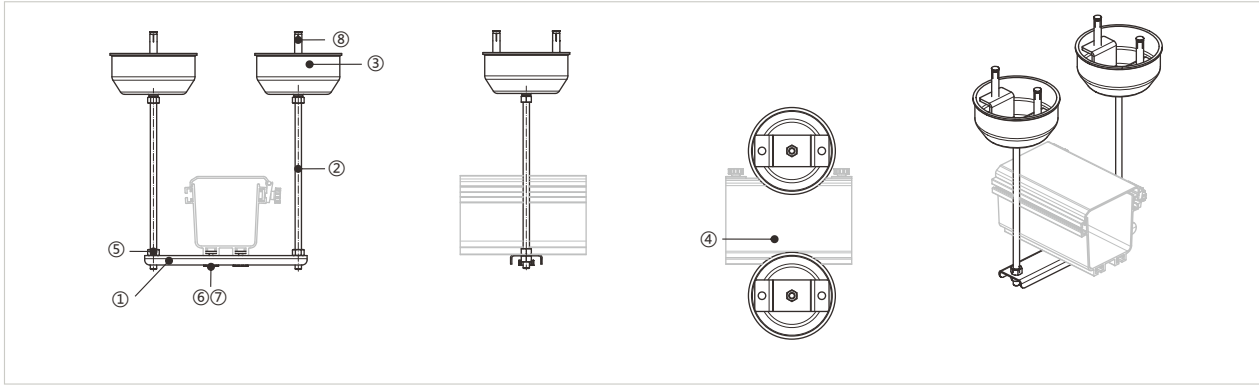


Installation Parts

	Item	P/N	Part	Quantity
4" P/N: T2170	①	T217	4" C-Bracket	1
	②	PS10*	Threaded Rod	1
	③	TJ021	Ejector Sleeve	1
	④	A222	Supporting Bracket	1
	⑤	GB/T6170-2000	M10 Screw Nut Kits	5
	⑥	GB923-88	M10 Cap Nut	1
	⑦	A301	Fixing Knob	2
	⑧	A321	Bolt	2
	⑨		M8 Expansion Screw	2
6" P/N: T3300	①	T330	6" C-Bracket	1
	②	PS10*	Threaded Rod	1
	③	TJ021	Ejector Sleeve	1
	④	A222	Supporting Bracket	1
	⑤	GB/T6170-2000	M10 Screw Nut Kits	5
	⑥	GB923-88	M10 Cap Nut	1
	⑦	A301	Fixing Knob	2
	⑧	A321	Bolt	2
	⑨		M8 Expansion Screw	2
10" P/N: T5540 (T540 in previous version)	①	T554	10" C-Bracket	1
	②	PS10*	Threaded Rod	1
	③	TJ021	Ejector Sleeve	1
	④	A222	Supporting Bracket	1
	⑤	GB/T6170-2000	M10 Screw Nut Kits	5
	⑥	GB923-88	M10 Cap Nut	1
	⑦	A301	Fixing Knob	3
	⑧	A321	Bolt	3
	⑨		M8 Expansion Screw	2
12" P/N: T4350	①	T435	12" C-Bracket	1
	②	PS10*	Threaded Rod	1
	③	TJ021	Ejector Sleeve	1
	④	A222	Supporting Bracket	1
	⑤	GB/T6170-2000	M10 Screw Nut Kits	5
	⑥	GB923-88	M10 Cap Nut	1
	⑦	A301	Fixing Knob	3
	⑧	A321	Bolt	3
	⑨		M8 Expansion Screw	2

* Recommended Threaded Rod Diameter is 10mm and length is available upon request. Please state the required length on any PO.

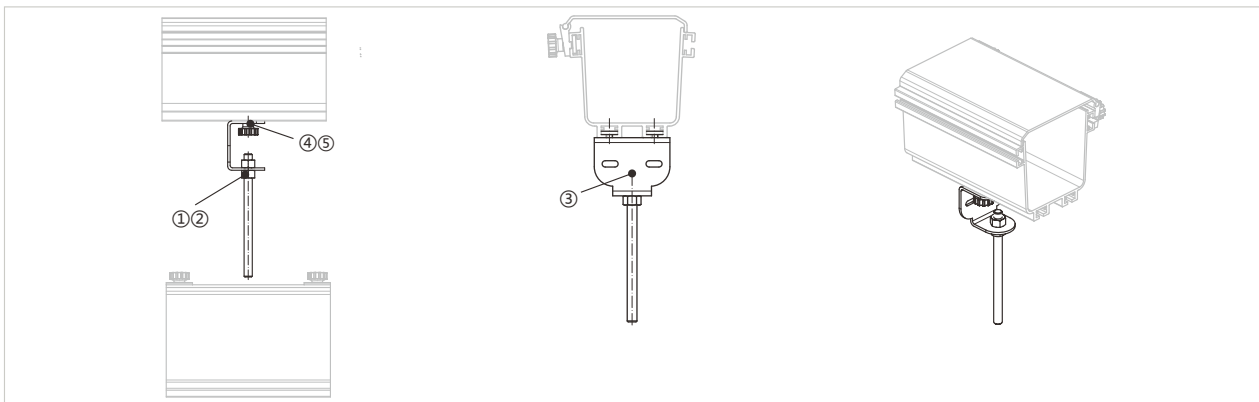
Trapeze Support



Installation Parts

	Item	P/N	Part	Quantity		Item	P/N	Part	Quantity
4" P/N: T225	①	A225	4" Trapeze bracket	1	6" P/N: T338	①	A338	6" Trapeze bracket	1
	②	PS10*	Threaded Rod	2		②	PS10*	Threaded Rod	2
	③	TJ021	Ejector Sleeve	2		③	TJ021	Ejector Sleeve	2
	④	A222	Supporting Bracket	2		④	A222	Supporting Bracket	2
	⑤	GB/T6170-2000	M10 Screw Nut Kits	10		⑤	GB/T6170-2000	M10 Screw Nut Kits	10
	⑥	A301	Fixing Knob	2		⑥	A301	Fixing Knob	2
	⑦	A321	Bolt	2		⑦	A321	Bolt	2
	⑧		M8 Expansion Screw	4		⑧		M8 Expansion Screw	4
10" P/N: T551	①	A551	10" Trapeze bracket	1	12" P/N: T440	①	A440	12" Trapeze bracket	1
	②	PS10*	Threaded Rod	2		②	PS10*	Threaded Rod	2
	③	TJ021	Ejector Sleeve	2		③	TJ021	Ejector Sleeve	2
	④	A222	Supporting Bracket	2		④	A222	Supporting Bracket	2
	⑤	GB/T6170-2000	M10 Screw Nut Kits	10		⑤	GB/T6170-2000	M10 Screw Nut Kits	10
	⑥	A301	Fixing Knob	3		⑥	A301	Fixing Knob	3
	⑦	A321	Bolt	3		⑦	A321	Bolt	3
	⑧		M8 Expansion Screw	4		⑧		M8 Expansion Screw	4

Top of Rack/Cabinet Support

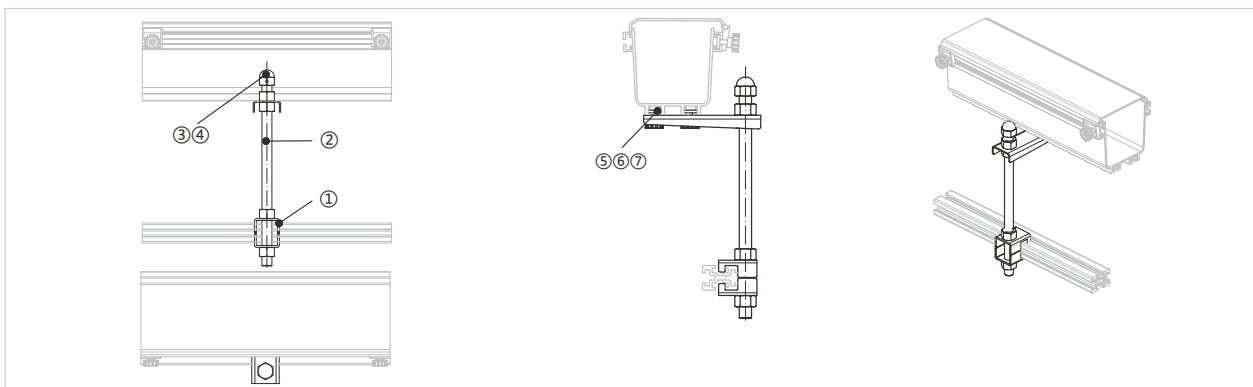


Installation Parts

	Item	P/N	Part	Quantity		Item	P/N	Part	Quantity
4" P/N: T226	①	Ps16*	Threaded Rod	1	6" P/N: T339	①	Ps16*	Threaded Rod	1
	②	GB/T6170-2000	M16 Screw Nut Kits	2		②	GB/T6170-2000	M16 Screw Nut Kits	2
	③	A226	4" Center Support Bracket	1		③	A339	6" Center Support Bracket	1
	④	A301	Fixing Knob	2		④	A301	Fixing Knob	2
	⑤	A321	Bolt	2		⑤	A321	Bolt	2
10" P/N: T552	①	Ps16*	Threaded Rod	1	12" P/N: T441	①	Ps16*	Threaded Rod	1
	②	GB/T6170-2000	M16 Screw Nut Kits	2		②	GB/T6170-2000	M16 Screw Nut Kits	2
	③	A552	10" Center Support Bracket	1		③	A441	12" Center Support Bracket	1
	④	A301	Fixing Knob	3		④	A301	Fixing Knob	3
	⑤	A321	Bolt	3		⑤	A321	Bolt	3

* Recommended Threaded Rod Diameter is 10mm and length is upon request. Please state the required length on the PO.

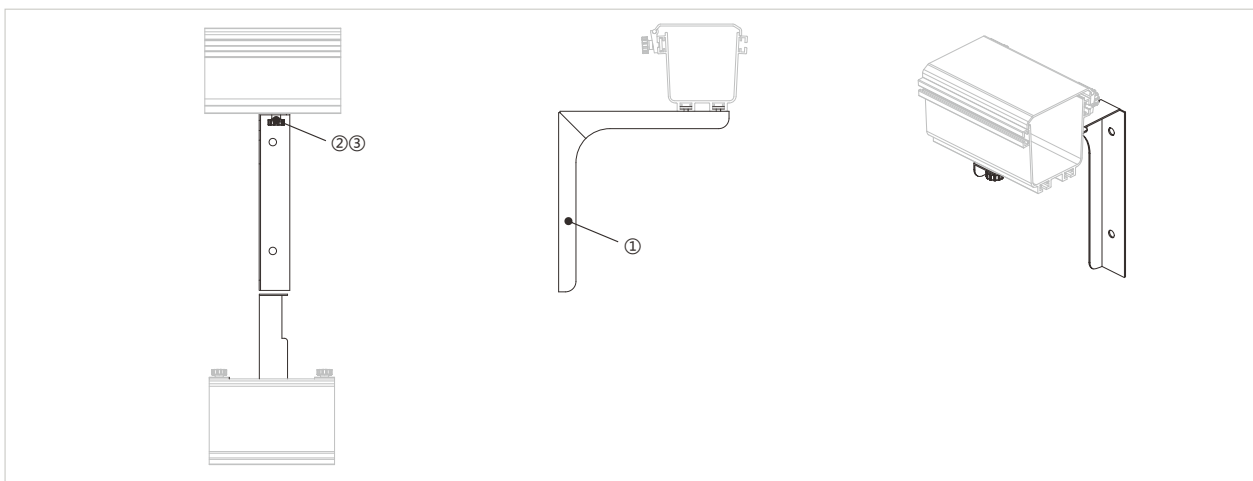
Auxiliary Framing support



Installation Parts

	Item	P/N	Part	Quantity		Item	P/N	Part	Quantity
4" P/N: T227	①	A342	Ladder Rack Bracket	2	6" P/N: T345	①	A342	Ladder Rack Bracket	2
	②	PS16*	Threaded rod	1		②	PS16*	Threaded rod	1
	③	GB/T6170-2000	M16 Screw Nut Kits	4		③	GB/T6170-2000	M16 Screw Nut Kits	4
	④	GB923-88	M16 Cap Nut	1		④	GB923-88	M16 Cap Nut	1
	⑤	A227	4" Supporting Bracket(2)	1		⑤	A345	6" Supporting Bracket(2)	1
	⑥	A301	Fixing Knob	2		⑥	A301	Fixing Knob	2
	⑦	A321	Bolt	2		⑦	A321	Bolt	2
10" P/N: T550	①	A342	Ladder Rack Bracket	2	12" P/N: T446	①	A342	Ladder Rack Bracket	2
	②	PS16*	Threaded rod	1		②	PS16*	Threaded rod	1
	③	GB/T6170-2000	M16 Screw Nut Kits	4		③	GB/T6170-2000	M16 Screw Nut Kits	4
	④	GB923-88	M16 Cap Nut	1		④	GB923-88	M16 Cap Nut	1
	⑤	A550	10" Supporting Bracket(2)	1		⑤	A446	12" Supporting Bracket(2)	1
	⑥	A301	Fixing Knob	3		⑥	A301	Fixing Knob	2
	⑦	A321	Bolt	3		⑦	A321	Bolt	2

Wall Support



Installation Parts

	Item	P/N	Part	Quantity		Item	P/N	Part	Quantity
4" P/N: T2240	①	T224	4" Side support bracket	1	6" P/N: T3370	①	T337	6" Side support bracket	1
	②	A301	Fixing Knob	2		②	A301	Fixing Knob	2
	③	A321	Bolt	2		③	A321	Bolt	2
10" P/N: T5530	①	T553	10" Side Support Bracket	1	12" P/N: T4420	①	T442	12" Side Support Bracket	1
	②	A301	Fixing Knob	3		②	A301	Fixing Knob	3
	③	A321	Bolt	3		③	A321	Bolt	3

* Recommended Threaded Rod Diameter is 10mm and length is available upon request. Please state the required length on any PO.

Part Number	Description	Page Number
2" x 2" parts		
A101	2" Straight Section	4
A102	2" Straight Section Cover	4
A104	2" 90° Horizontal Elbow	4
A105	2" 90° Horizontal Elbow Cover	4
A106	2" Horizontal T	4
A107	2" Horizontal T Cover	4
A108	2" Connector	4
A114	2" End Cap	4
A115	2" 90° Up Elbow	5
A116	2" 90° Up Elbow Cover	5
A117	2" 90° Down Elbow	5
A118	2" 90° Down Elbow Cover	5
4" x 4" parts		
A203	4" Straight Section	6
A205	4" Horizontal T	7
A206	4" Horizontal T Cover	7
A207	4" 45° Up Elbow	7
A208	4" 45° Down Elbow	7
A209	4" 90° Down Elbow	7
A211	4" 90° Horizontal Elbow	6
A212	4" 90° Horizontal Elbow Cover	6
A214	4" End Cap	6
A216	4" Connector End Cap	6
A232	4" Storage Tray Cover	6
A235	4" Horizontal Cross	7
A236	4" Horizontal Cross Cover	7
A241	4" Vertical T	8
A242	4" Vertical T Cover	8
T202	4" Straight Section Cover Kit	6
T2041	4" Connector Kit A	6
T2042	4" Connector Kit B	6
T219	4" 45° Up Elbow Cover Kit	7
T220	4" 45° Down Elbow Cover Kit	7
T221	4" 90° Down Elbow Cover Kit	7
T231	4" Storage Tray	6
4" x 6" parts		
A305	6" 90° Down Elbow	10
A306	6" 45° Down Elbow	10
A307	6" 45° Up Elbow	10
A314	6" Horizontal T Cover	9
A315	6" 90° Horizontal Elbow	9
A317	6" Horizontal T	9
A318	6" 90° Horizontal Elbow Cover	9
A319	6" Straight Section	9
A322	6" End Cap	9
A325	6" Connector End Cap	9
A327	6" Horizontal Cross	10
A328	6" Horizontal Cross Cover	10
A349	6" Storage Tray Cover	10
T302	6" Straight Section Cover Kit	9
T3161	6" Connector Kit A	9
T3162	6" Connector Kit B	9
T334	6" 45° Up Elbow Cover Kit	10
T335	6" 45° Down Elbow Cover Kit	10
T336	6" 90° Down Elbow Cover Kit	10
T347	6" Storage Tray	10
4" x 10" parts		
A501	10" Straight Section	11
A503	10" Horizontal Cross	11
A504	10" Horizontal T	11
A506	10" Horizontal Cross Cover	11
A507	10" Horizontal T Cover	11
A510	10" Straight Section Cover	11
A512	10" 90° Horizontal Elbow Cover	11
A513	10" 90° Horizontal Elbow	11
A522	10" End Cap	12

Part Number	Description	Page Number
A529	10" Connector End Cap	12
T5021	10" Connector Kit A	11
T5022	10" Connector Kit B	11
4" x 12" parts		
A403	12" Straight Section	13
A404	12" 90° Down Elbow	14
A405	12" 45° Down Elbow	14
A406	12" 45° Up Elbow	14
A407	12" Horizontal Cross	14
A417	12" Horizontal T	13
A418	12" Horizontal T Cover	13
A420	12" Horizontal Cross Cover	14
A422	12" Straight Section Cover	13
A425	12" 90° Horizontal Elbow Cover	13
A426	12" 45° Horizontal Elbow Cover	14
A427	12" 45° Horizontal Elbow	14
A429	12" 90° Horizontal Elbow	13
A431	12" End Cap	13
A434	12" Connector End Cap	13
T4281	12" Connector Kit A	13
T4282	12" Connector Kit B	13
T437	12" 45° Up Elbow Cover Kit	14
T438	12" 45° Down Elbow Cover Kit	14
T439	12" 90° Down Elbow Cover Kit	14
Hybrid		
A313	6" to 4" Horizontal T Cover	17
A320	6" to 4" Horizontal T	17
A326	6" to 4" Horizontal Cross	17
A329	6" to 4" Horizontal Cross Cover	17
A350	6" to 4" Adapter	17
A351	6" to 4" Adapter Cover	17
A408	12" to 6" Horizontal T	18
A409	12" to 6" Adapter	18
A410	12" to 6" Horizontal Cross	18
A411	12" to Dual 6" Adapter	18
A419	12" to 6" Horizontal T Cover	18
A421	12" to 6" Horizontal Cross Cover	18
A423	12" to 6" Adapter	18
A424	12" to 6" Adapter Cover	18
A505	10" to 6" Adapter	17
A509	10" to 6" Adapter Cover	17
T445	12" to 10" Connector Kit	18
Installation		
T2170	4" Anchor Support Kit	29
T3300	6" Anchor Support Kit	29
T540	10" Anchor Support Kit	29
T4350	12" Anchor Support Kit	29
T225	4" Trapeze Support Kit	30
T338	6" Trapeze Support Kit	30
T551	10" Trapeze Support Kit	30
T440	12" Trapeze Support Kit	30
T226	4" Top of Rack/Cabinet Support Kit	30
T339	6" Top of Rack/Cabinet Support Kit	30
T552	10" Top of Rack/Cabinet Support Kit	30
T441	12" Top of Rack/Cabinet Support Kit	30
T227	4" Auxiliary Framing Support Kit	31
T345	6" Auxiliary Framing Support Kit	31
T550	10" Auxiliary Framing Support Kit	31
T446	12" Auxiliary Framing Support Kit	31
T2240	4" Wall Support Kit	31
T3370	6" Wall Support Kit	31
T5530	10" Wall Support Kit	31
T4420	12" Wall Support Kit	31
Flex Tube		
C35	Flex Tube (diameter: 35mm)	19
C80	Flex Tube (diameter: 80mm)	19

Part Number	Description	Page Number
Exit		
T3091	2" Quick Exit Kit with Flex Tube Drop for 4" Tray 1	19
T3092	2" Quick Exit Kit with Flex Tube Drop for 6" Tray 1	19
T3093	2" Quick Exit Kit with Trumpet Flare Drop for 4" Tray 1	19
T3094	2" Quick Exit Kit with Trumpet Flare Drop for 6" Tray 1	19
T2341	2" Quick Exit Kit with Flex Tube Drop 2 for 4" Tray 2	20
T2342	2" Quick Exit Kit with Flex Tube Drop 2 for 6" Tray 2	20
T2343	2" Quick Exit Kit with Trumpet Flare Drop 2 for 4" Tray 2	20
T2344	2" Quick Exit Kit with Trumpet Flare Drop 2 for 6" Tray 2	20
T41341	4" Quick Exit Kit with Flex Tube Drop 1 for 4" Tray with 2 holes	22
T41342	4" Quick Exit Kit with Flex Tube Drop 1 for 4" Tray with 3 holes	22
T41343	4" Quick Exit Kit with Flex Tube Drop 1 for 4" Tray with 1 hole	22
T41344	4" Quick Exit Kit with Trumpet Flare Drop 1 for 4" Tray	23
T41311	4" Quick Exit Kit with Flex Tube Drop 1 for 6" Tray with 2 holes	22
T41312	4" Quick Exit Kit with Flex Tube Drop 1 for 6" Tray with 3 holes	22
T41313	4" Quick Exit Kit with Flex Tube Drop 1 for 6" Tray with 1 hole	22
T41314	4" Quick Exit Kit with Trumpet Flare Drop 1 for 6" Tray	23
T41321	4" Quick Exit Kit with Flex Tube Drop 1 for 10" Tray with 2 holes	22
T41322	4" Quick Exit Kit with Flex Tube Drop 1 for 10" Tray with 3 holes	22
T41323	4" Quick Exit Kit with Flex Tube Drop 1 for 10" Tray with 1 hole	22
T41324	4" Quick Exit Kit with Trumpet Flare Drop 1 for 10" Tray	23
T41331	4" Quick Exit Kit with Flex Tube Drop 1 for 12" Tray with 2 holes	22
T41332	4" Quick Exit Kit with Flex Tube Drop 1 for 12" Tray with 3 holes	22
T41333	4" Quick Exit Kit with Flex Tube Drop 1 for 12" Tray with 1 hole	22
T41334	4" Quick Exit Kit with Trumpet Flare Drop 1 for 12" Tray	23
T1111	2" Fixed Exit Kit with Flex Tube Drop 2 for 4" Tray	21
T1112	2" Fixed Exit Kit with Flex Tube Drop 2 for 6" Tray	21
T1113	2" Fixed Exit Kit with Trumpet Flare Drop 2 for 4" Tray	21
T1114	2" Fixed Exit Kit with Trumpet Flare Drop 2 for 6" Tray	21
T35241	4" Quick Exit Kit with Flex Tube Drop 2 for 4" Tray with 2 holes	24
T35242	4" Quick Exit Kit with Flex Tube Drop 2 for 4" Tray with 3 holes	24
T35243	4" Quick Exit Kit with Flex Tube Drop 2 for 4" Tray with 1 hole	24
T35244	4" Quick Exit Kit with Trumpet Flare Drop 2 for 4" Tray	25
T35211	4" Quick Exit Kit with Flex Tube Drop 2 for 6" Tray with 2 holes	24
T35212	4" Quick Exit Kit with Flex Tube Drop 2 for 6" Tray with 3 holes	24
T35213	4" Quick Exit Kit with Flex Tube Drop 2 for 6" Tray with 1 hole	24
T35214	4" Quick Exit Kit with Trumpet Flare Drop 2 for 6" Tray	25
T35221	4" Quick Exit Kit with Flex Tube Drop 2 for 10" Tray with 2 holes	24
T35222	4" Quick Exit Kit with Flex Tube Drop 2 for 10" Tray with 3 holes	24
T35223	4" Quick Exit Kit with Flex Tube Drop 2 for 10" Tray with 1 hole	24
T35224	4" Quick Exit Kit with Trumpet Flare Drop 2 for 10" Tray	25
T35231	4" Quick Exit Kit with Flex Tube Drop 2 for 12" Tray with 2 holes	24
T35232	4" Quick Exit Kit with Flex Tube Drop 2 for 12" Tray with 3 holes	24
T35233	4" Quick Exit Kit with Flex Tube Drop 2 for 12" Tray with 1 hole	24
T35234	4" Quick Exit Kit with Trumpet Flare Drop 2 for 12" Tray	25
T22811	4" Fixed Exit Kit with Flex Tube Drop for 6" Tray with 2 holes	26
T22812	4" Fixed Exit Kit with Flex Tube Drop for 6" Tray with 3 holes	26
T22813	4" Fixed Exit Kit with Flex Tube Drop for 6" Tray with 1 hole	26
T22814	4" Fixed Exit Kit with Trumpet Flare Drop for 6" Tray	26
T22821	4" Fixed Exit Kit with Flex Tube Drop for 10" Tray with 2 holes	26
T22822	4" Fixed Exit Kit with Flex Tube Drop for 10" Tray with 3 holes	26
T22823	4" Fixed Exit Kit with Flex Tube Drop for 10" Tray with 1 hole	26
T22824	4" Fixed Exit Kit with Trumpet Flare Drop for 10" Tray	26
T22831	4" Fixed Exit Kit with Flex Tube Drop for 12" Tray with 2 holes	26
T22832	4" Fixed Exit Kit with Flex Tube Drop for 12" Tray with 3 holes	26
T22833	4" Fixed Exit Kit with Flex Tube Drop for 12" Tray with 1 hole	26
T22834	4" Fixed Exit Kit with Trumpet Flare Drop for 12" Tray	26
T3081	Downspout with Flex Tube Drop with 2 holes for 6" Tray	27
T3082	Downspout with Flex Tube Drop with 3 holes for 6" Tray	27
T3083	Downspout with Flex Tube Drop with 1 hole for 6" Tray	27
T3084	Downspout with Trumpet Flare Drop for 6" Tray	27
T5081	Downspout with Flex Tube Drop with 2 holes for 10" Tray	28
T5082	Downspout with Flex Tube Drop with 3 holes for 10" Tray	28
T5083	Downspout with Flex Tube Drop with 1 hole for 10" Tray	28
T5084	Downspout with Trumpet Flare Drop for 10" Tray	28
T4121	Downspout with Flex Tube Drop with 2 holes for 12" Tray	28
T4122	Downspout with Flex Tube Drop with 3 holes for 12" Tray	28
T4123	Downspout with Flex Tube Drop with 1 hole for 12" Tray	28
T4124	Downspout with Trumpet Flare Drop for 12" Tray	28



ASTON, LONDON, UNITED KINGDOM