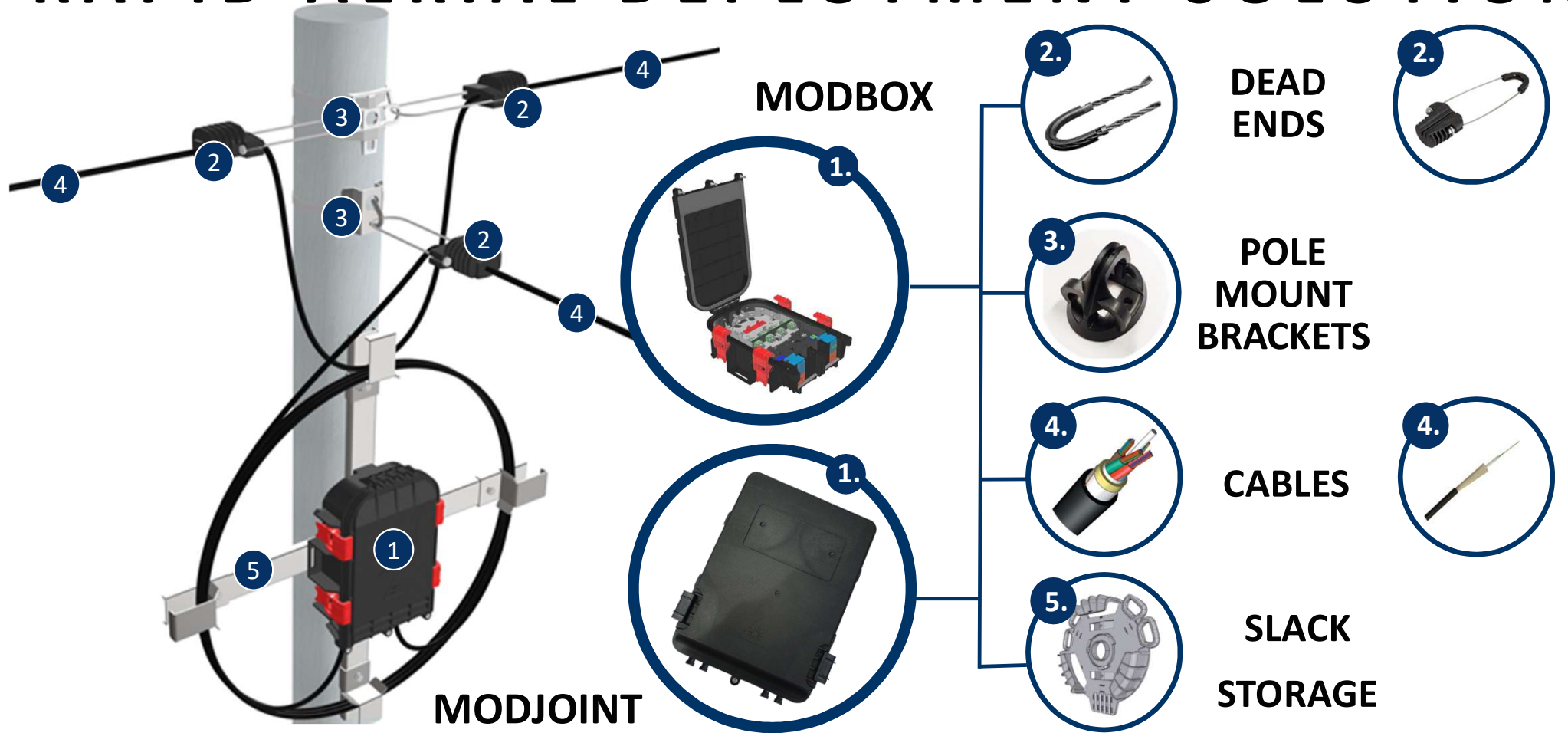




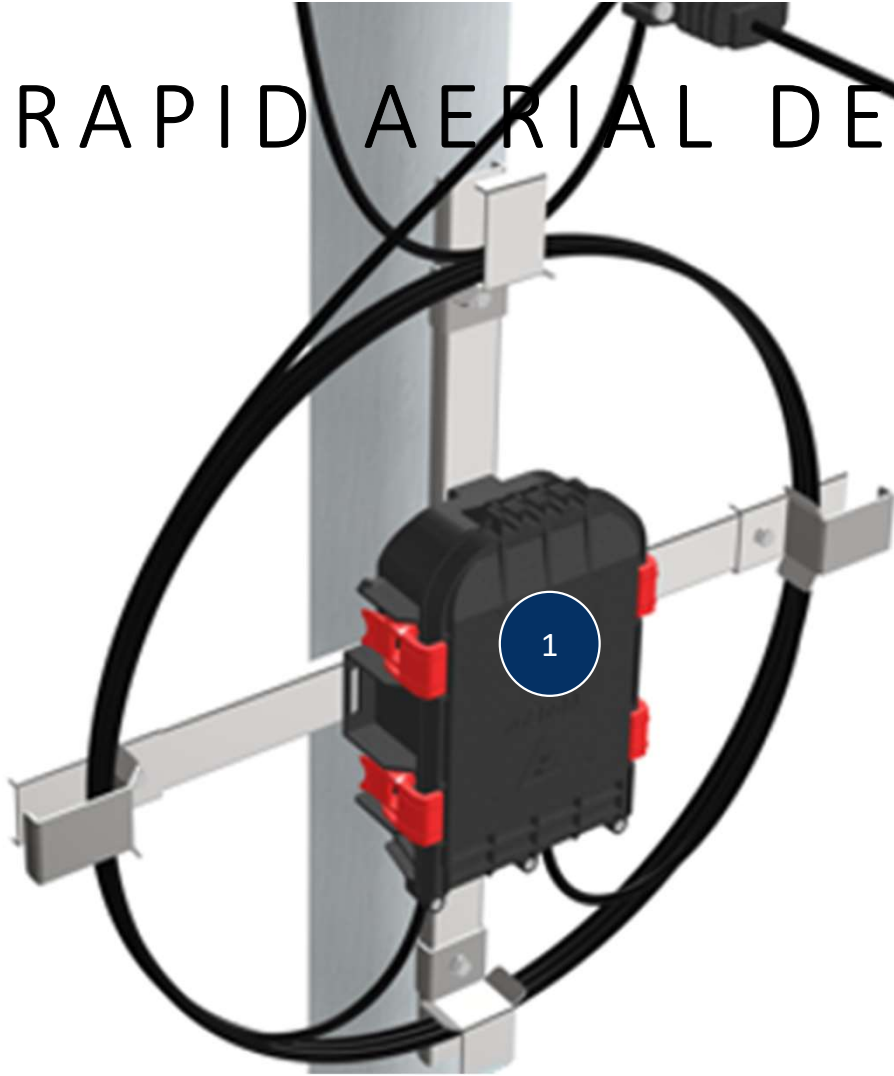
RAPID AERIAL DEPLOYMENT SOLUTION



"20 YEAR EXTENDED WARRANTY AVAILABLE"



RAPID AERIAL DEPLOYMENT SOLUTION



1. MODBOX® & MODJOINT®

Most versatile Modular Multi-purpose Fibre Optic Joint. Versatile modular component design allowing for multiple configurations and applications. Due to its modular design, ease of access (re-enterable) and simplified installation it will save valuable time on installations. Allowing for various configurations in the fibre optic network.

MODBOX®

MODJOINT®



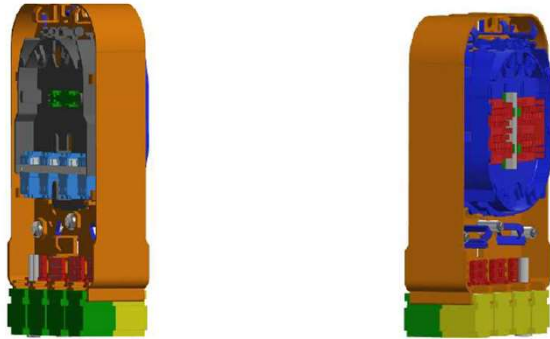
RADS MODBOX OVERVIEW

Features

- Unique design with up to IP-68 Protection.
- Internal Tray cassette has tube management and allows for multiple configurations.
- Splice cassettes can handle 14/28/36F per tray cassette.
- Adaptor cassettes can handle 1 x splice bridge 14f and up to 8 fibre adapter ports
- Splitter Bridge can be mounted on splice only or adaptor cassette.
- Maximum splices 144 fibres. (4pcs x 36 Fibres)
- Lay in concept for technician to prep entire management on table and place into joint.

MODBOX®





MODBOX[®]

RADS MODBOX OVERVIEW

Features

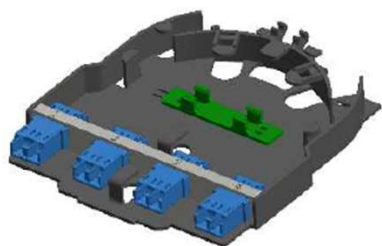
- 8 x Entry / Exit ports available with various grommet sets available.
- Un-cut cable diameters ranging from 2mm-12mm.
- Loop storage up to 1.2m.
- The material used is of high strength; excellent rigidity and dimensional stability and UV resistant.
- The seals and grommets are made of silicone based material.
- Applicable component order only
- Temperature range of -40°C ~ +70°C
- No special tools required.

Applications

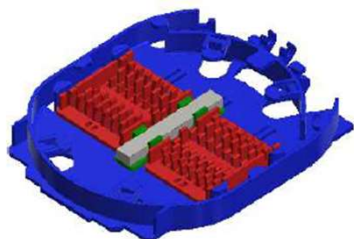
- Manhole / Hand-hole; Wall and Pole mountable applications (pole bracket optional).
- Ideal for Mid-span and Spur joint applications.
- Ideal for MDU wall mount applications.
- Ideal for Aerial cable applications.

RADS MODBOX OVERVIEW

Trays, Seals, splice bridge, splitter holder & Blanking plugs



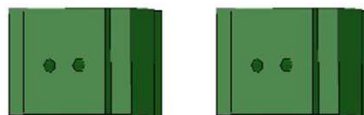
Mid-coupler Cassette with
Mid-coupler Bridge



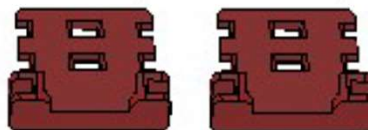
Splice Cassette with 2 x Splice
Bridges 14 way



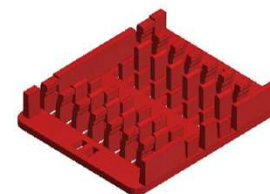
Entry Grommets



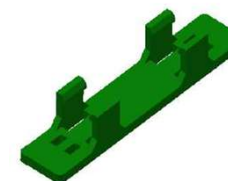
Exit Grommets (2 ports)



Dual Purpose Cable Retainer
Clips



Splice Bridges (14F or 36F)



Splitter Bridge Holder



MODJOINT®

RADS MODJOINT OVERVIEW

- **Features**
- Unique design with up to IP-65 Protection.
- Internal Tray cassette has tube management and allows for multiple configurations.
- Splice cassettes can handle 14/28/36F per tray cassette.
- Adaptor cassettes can handle 1 x splice bridge 14f and up to 8 fibre adapter ports
- Splitter Bridge can be mounted on splice only or adaptor cassette.
- Maximum splices 108 fibres. (3pcs x 36 Fibres)



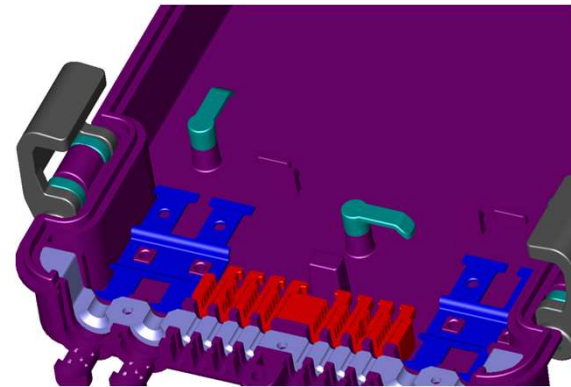
RADS MODJOINT OVERVIEW

Features

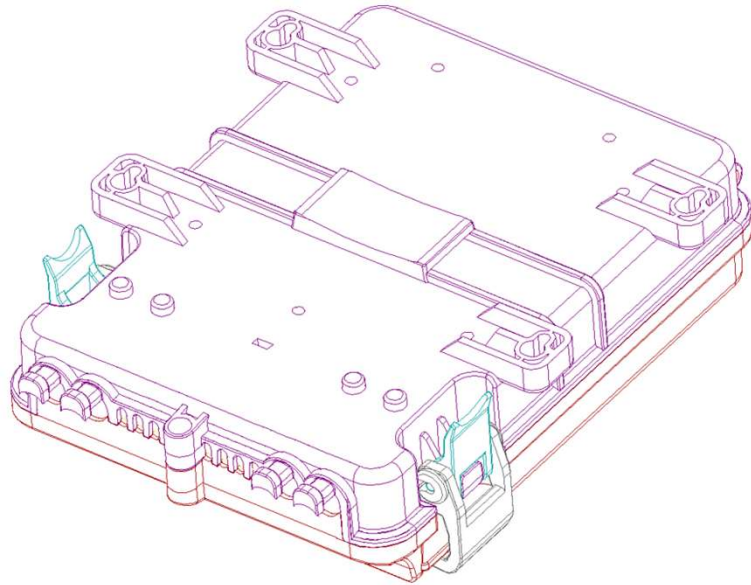
- 4 x Main Entry port 4 – 12mm (Feeder and spur)
- 8 x Exit ports 2-4mm (max 16 ports).
- The material used is of high strength; excellent rigidity and dimensional stability and UV resistant.
- The seals and grommets are made of silicone based TPE material.
- Slack storage of up to 1.2m.
- Applicable component order only
- Temperature range of -40°C ~ +70°C
- No special tools required.

Applications

- Manhole / Hand-hole; Wall and Pole mountable applications (pole bracket optional).
- Ideal for Mid-span and Spur joint applications.
- Ideal for MDU wall mount applications.
- Ideal for Aerial cable applications.



MODJOINT®



MODJOINT®

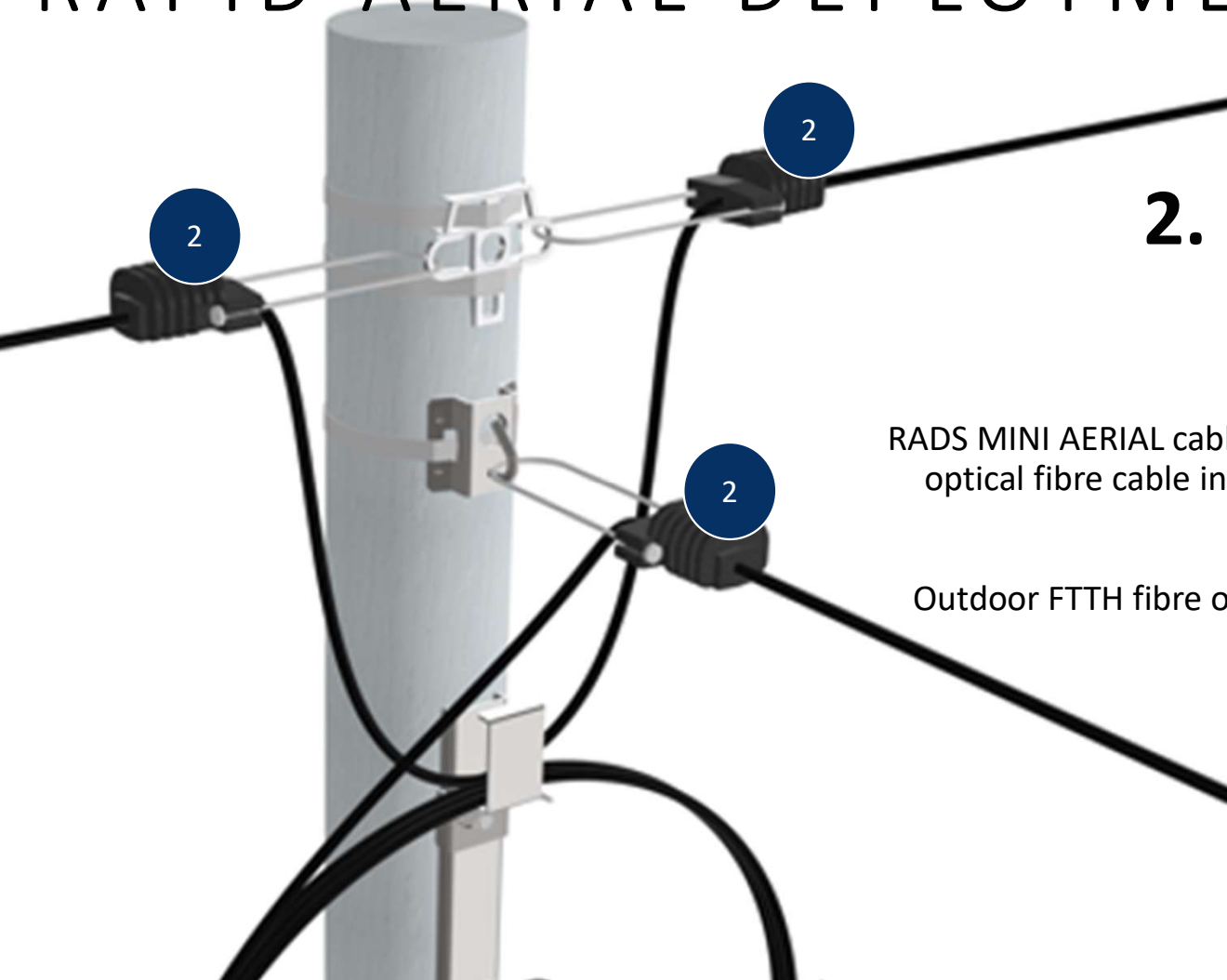
RADS MODJOINT OVERVIEW

Features

- Wall mount application for MDU solutions with use of mounting hooks.
- Direct pole mount with the use of bandit strap.



RAPID AERIAL DEPLOYMENT SOLUTION



2. DEAD ENDS

RADS MINI AERIAL cable dead ends designed to tension the round optical fibre cable in aerial telecommunication network lines.

Outdoor FTTH fibre optic cable deployment with ADSS or FTTH cables.





RADS DEAD END OVERVIEW

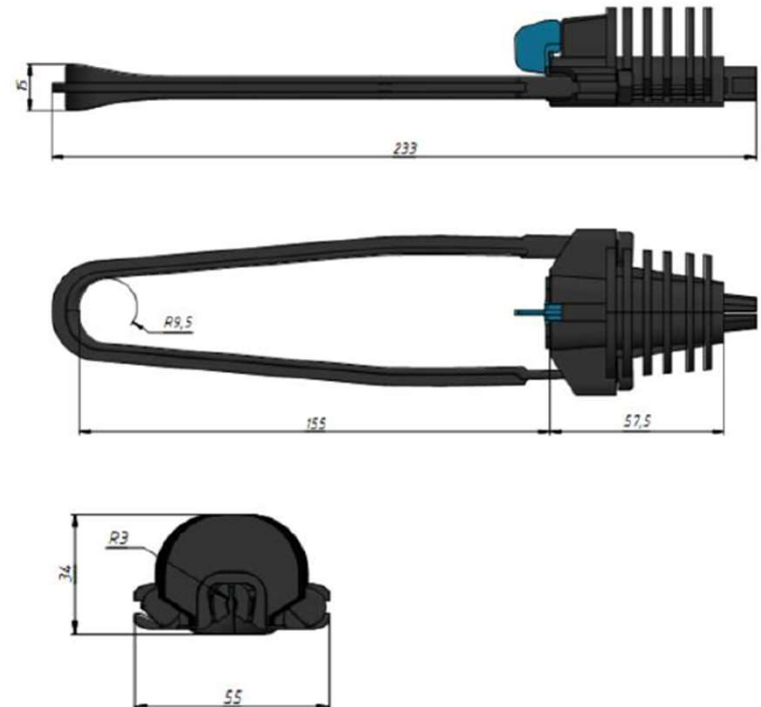
ADSS/FTTH Drop Clamp -ASTDP-3-6

ADSS mini cable drop tension clamp 3-6mm designed to tension the round optical fibre cable in aerial telecommunication network lines.

The drop clamp is used with fibre optic cable on the intermediate and last mile for a maximum distance up to 50 meters.

Features:

- Self-adjusting wedges
- Full dielectric, metal free
- Rapid tool free installation
- Open bail for rapid installation
- Anti-drop off design
- Excellent Environmental Stability
- Extended application size of fibre optic cable
- Low cost solution for FTTH deployment



RADS DEAD END OVERVIEW

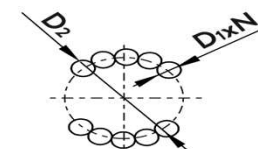
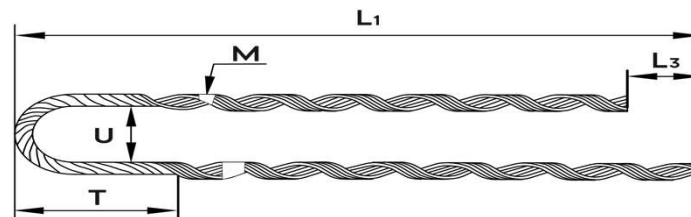
Helical Spiral Guy Grip Dead End

AST-DE-5.7-6.5-SW ADSS HELICAL SPIRAL GUY GRIP DEAD END has been designed to span cables with a diameter of 5.7-6.5mm fibre optic cables.

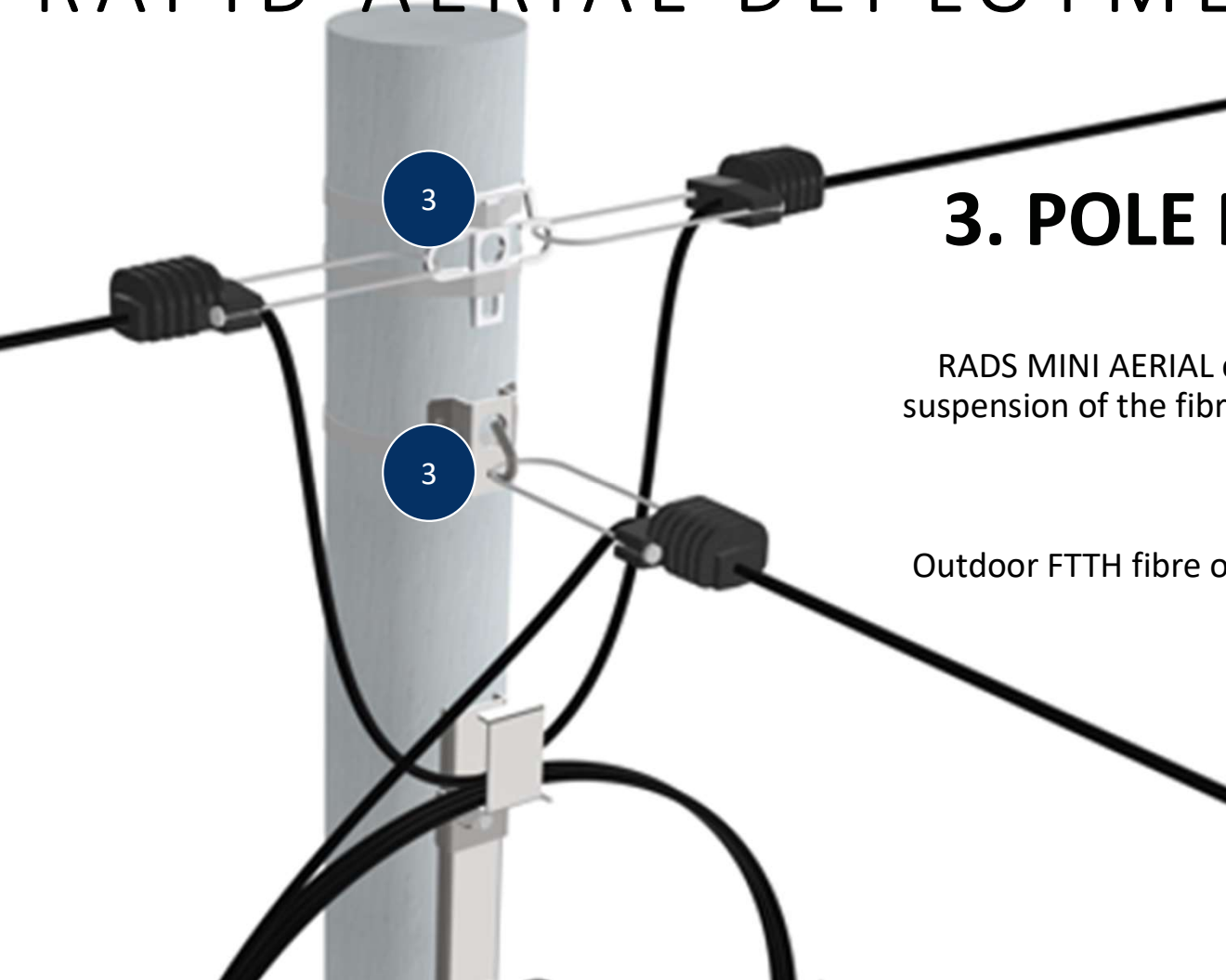
Made of Hot dip Galvanized steel wire UV resistant polymer material horseshoe this is the ideal solution for fast and reliable aerial deployment.

Features:

- UV Resistant Polymer.
- Hot dip galvanized allowing for deployment inland and coastal regions.
- Nonslip spiral superior grip.
- Easy installation onto hook or hinge.
- Multiple use applications.
- Facilitate a wide range of cable sizes.



RAPID AERIAL DEPLOYMENT SOLUTION



3. POLE MOUNT BRACKET

RADS MINI AERIAL cable hooks are designed to tension and suspension of the fibre optic cable dead ends or FTTH drop wire cable dead ends.

Outdoor FTTH fibre optic cable deployment with ADSS or FTTH cables.





RADS POLE MOUNT OVERVIEW

TRI-POLE FIBRE NOSE HOOK - AST-PNH-07YK

Tri-Pole nose hook has a unique design allowing for suspension or tension to be attached to the hook with the use of RADS dead ends.

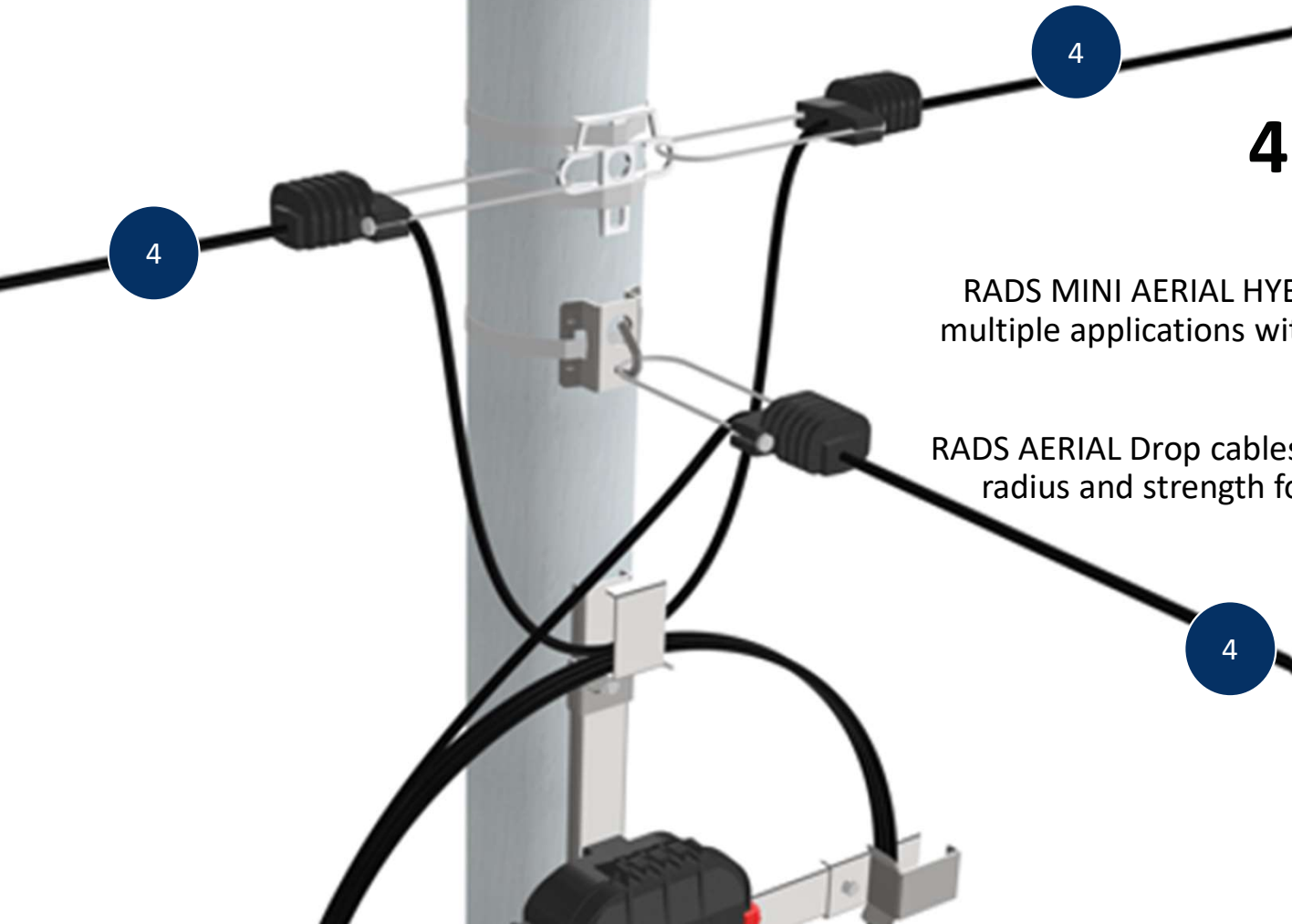
A wind break point allows for movement and strain relief on the Tri-Pole hook.

Features:

- Three unique fixation points.
- Close hook and open hook installation.
- Full dielectric.
- Light weight.
- Pole stainless steel strapping application.
- Wall application.
- High mechanical strength.
- Fibre optic clamp body made of UV resistant Nylon.



RAPID AERIAL DEPLOYMENT SOLUTION



4. CABLES

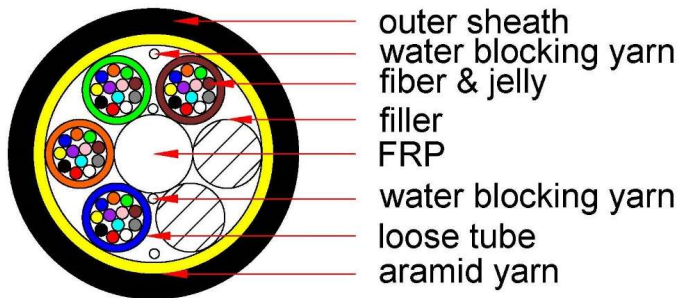
RADS MINI AERIAL HYBRID cable has been design to allow for multiple applications with AIR and UNDERGROUND installations.

RADS AERIAL Drop cables have been designed for maximum bend radius and strength for aerial or underground deployment.





MODCAB®



RADS CABLE OVERVIEW

MINI Aerial cable – Dual Purpose Hybrid 12-72 Fibres

Loose tube construction, tubes jelly filled, elements (tubes and filler rods) laid up around non-metallic central strength member, polyester yarn used to bind the cable core, aramid yarns, water blocking yarn used for water blocking, then PE outer sheath.

Applications

- MODCAB Rapid Aerial Deployment Solution
- For short span aerial applications FTTX
- Floating (Blowing) and pushing
- For long and short haul applications
- For Duct installations 14/10mm & 12/10mm

MODCAB®

RADS CABLE OVERVIEW

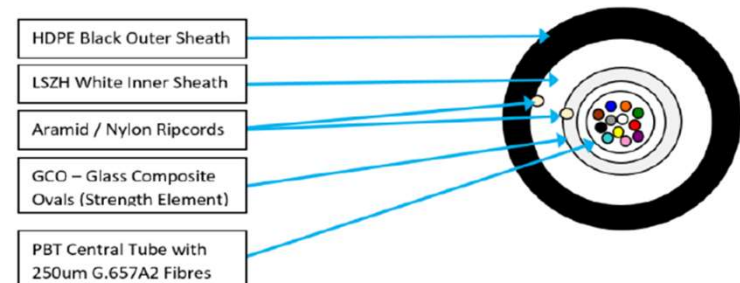
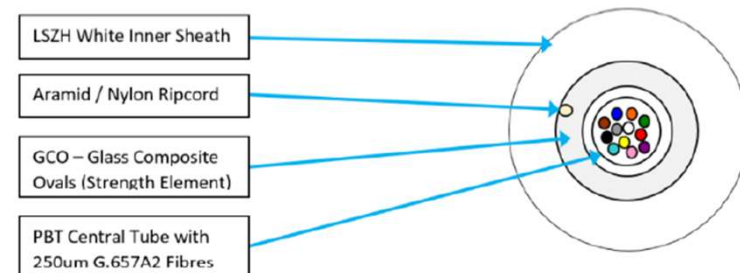
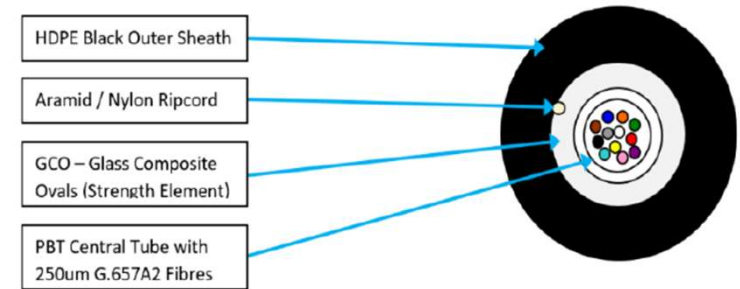
MODCAB Aerial Drop Cable

Drop cable is high tensile strength, crush resistant and UV stable. The unique construction allows the cable to be installed aerially or in duct as it is self supporting.

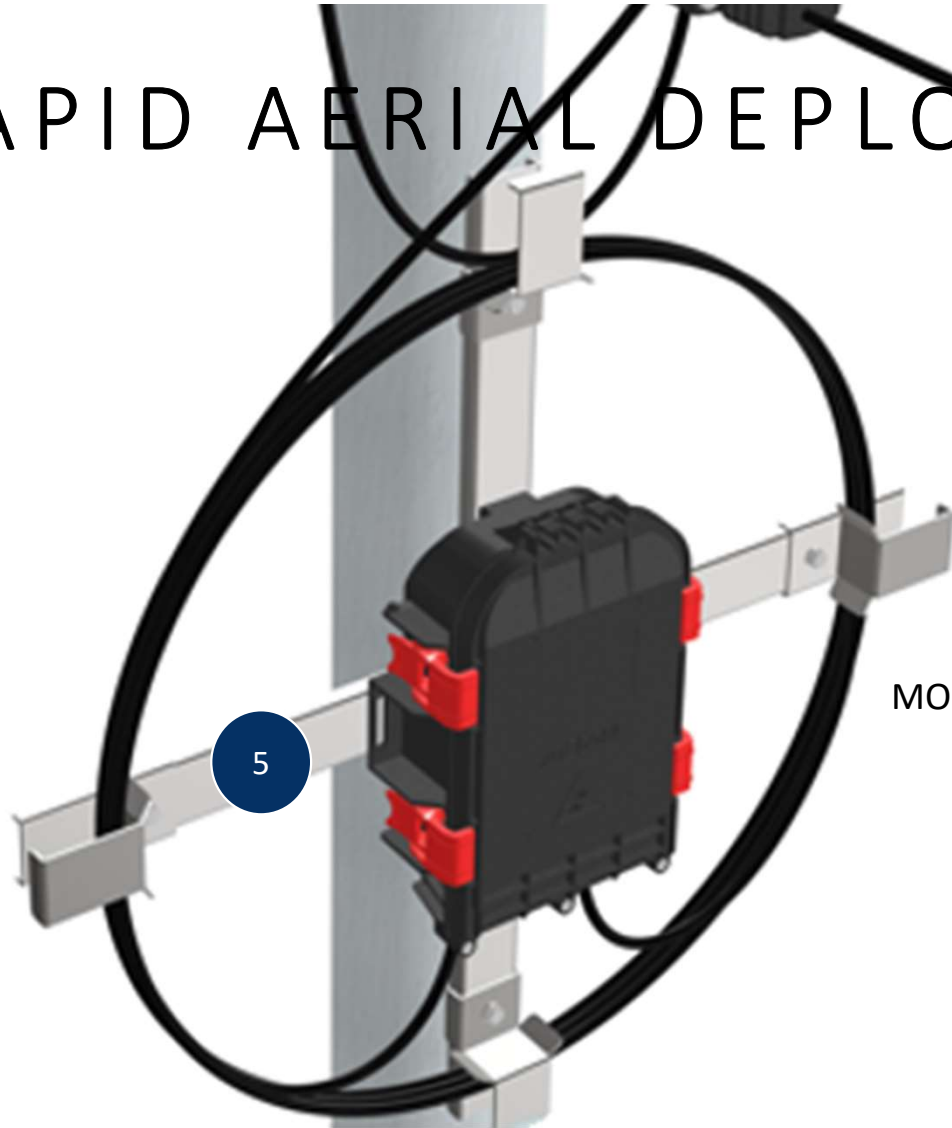
So drops from poles can be deployed with minimal fuss. Suitable for up to 50m spans.

Available in:

- 2F to 24F
- Indoor White LSZH (Low smoke zero halogen)
- Outdoor Black HDPE (Duct or Aerial)
- Outdoor / Indoor – Inner Sheath White LSZH with Outer Sheath Black HDPE. Simply strip the outer sheath away where the drop cable enters the customers premises to expose the white inner sheath.



RAPID AERIAL DEPLOYMENT SOLUTION

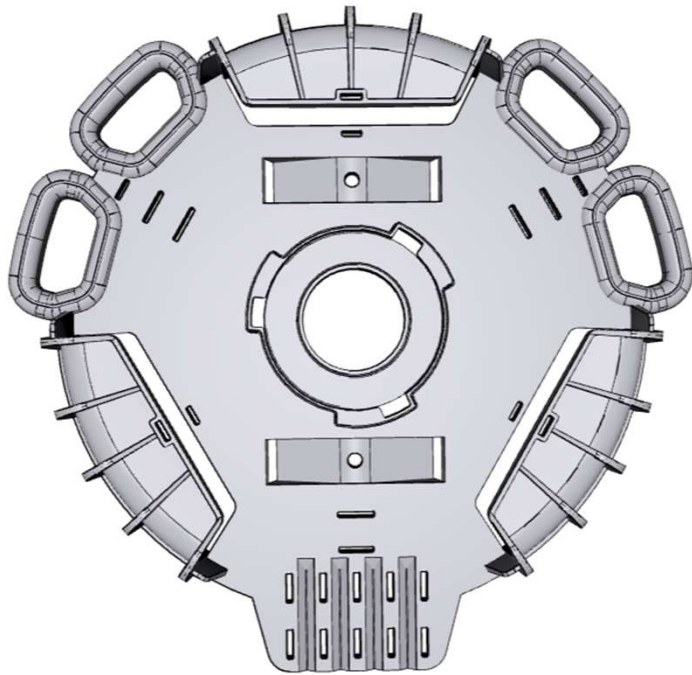


5. SLACK STORAGE

MODSLAK is a RAPID Aerial Storage space for all the excess fibre optic feeder and drop cable storage facility.

MODSLAK®





MODSLAK®

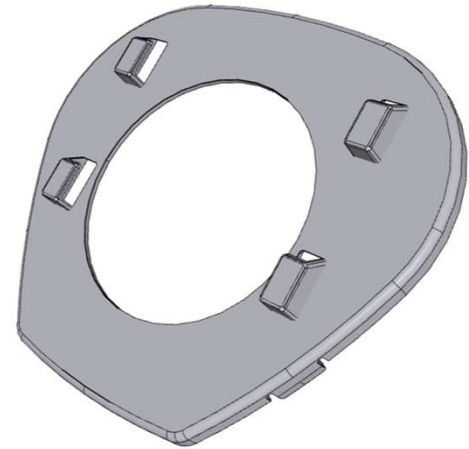
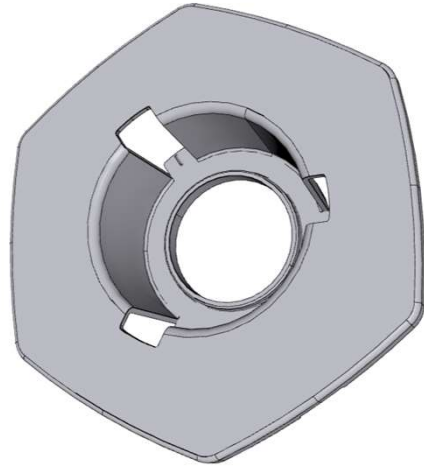
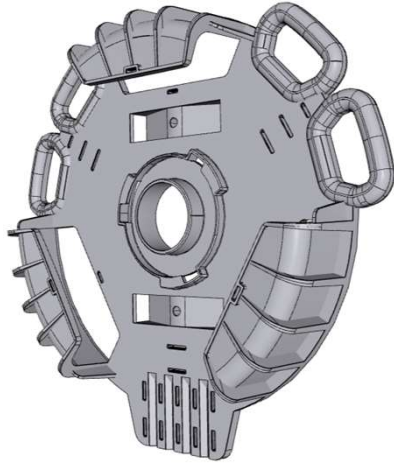
RADS SLACK STORAGE OVERVIEW

MODSLAK – RAPID AERIAL STORAGE FACILITY

Designed to store required fibre optic aerial slack cable. The unique design allows for up to 22m of MINI Aerial cable storage and 40m of Drop cable storage all on one device.

Applications

- 3 Cable holder segments.
- Multiple tie down points for Velcro/cable ties to secure fibre optic cables.
- Pole mount with the use of Stainless steel trapping or direct mount with screws.
- 4 mounting points for Dead Ends for ease of drops to home reducing cost for additional aerial hardware.
- Cable fixation points at exit/entry of cables.



RADS SLACK STORAGE OVERVIEW

MODSLAK – RAPID AERIAL STORAGE FACILITY

MODSLAK has a rotational center allowing for ease of removal of MODBOX or MODJOINT from main bracket that allows for ease of work on ground level.

The plate has a 15-degree rotation allowing for ease of removal even with fibre optic cable fixated.

- Various adaptor plates are available for MODBOX and MODJOINT.

MODSLAK®

